

Specifications

SMART kapp iQ

SMART kapp iQ™ appliance for SMART Board® 6000/8000i-G5 series interactive flat panels

Overview

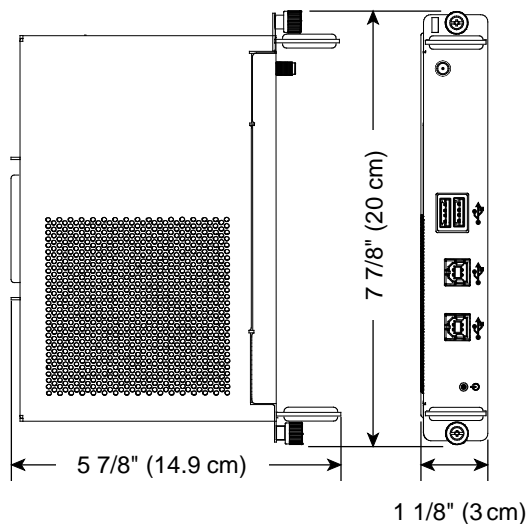
Using your SMART kapp iQ™ appliance and SMART Board 6000 or 8000i-G5 series interactive flat panel, you can capture notes and ideas, present information and collaborate with others in simple but powerful ways.

Connect a Bluetooth®-enabled mobile device to the interactive flat panel by scanning the Quick Response (QR) code on the screen. When you first connect your mobile device, you're directed to the Apple App Store or Google Play™ to download the SMART kapp® app. After installing the app, you can connect to your interactive flat panel and share notes with others. You can write notes in black or red ink using the provided pens and erase notes with the pens' erasers or with your palm or fist.

See smartkapp.com for more information on SMART kapp iQ.

Dimensions and weights¹

Dimensions



Weight

1 lb. 8 oz. (670 g)

Shipping dimensions

12 1/4" × 9 1/4" × 3"
(31.1 cm × 23.5 cm 7.6 cm)

Shipping weight

2 lb. 4 oz. (1 kg)

¹All dimensions and weights ± 10%.

Hardware

Processor	APQ8074AC with HDCP support
Memory	3 GB LPDDR3 SDRAM, 931.2 MHz
Storage	8 GB eMMC Flash
Wireless technology	Bluetooth 4.0 dual mode (backwards compatible with Bluetooth 2.1 + EDR)
Capture options	Establish a Bluetooth wireless connection with a supported mobile device (see below) by scanning the appliance's unique QR code
Connectors	USB 3.0 Type-A (x2) USB 2.0 Type-B (x2) ²

Installation requirements

Appliance	See the <i>SMART kapp iQ appliance for SMART Board 6000/8000i-G5 series interactive flat panels installation instructions</i> (smarttech.com/kb/170947)
SMART kapp app	
Apple devices	iOS 7.1 or later operating system software 50 MB storage iPhone 4S or later Third generation iPad or later First generation iPad mini or later Fifth generation iPod touch or later
Android™ devices	Android 4.4.4 (KitKat) or later operating system 50 MB of storage (internal or SD card) 1024 MB of RAM 720p or better screen resolution Bluetooth 2.1 + EDR 3 megapixel or better rear-facing camera (recommended)
SMART kapp viewer	
Mobile	Safari for iOS 7.1 or later operating system software Chrome™ for Android 39.0.2171.93 or later
Desktop	Internet Explorer® 10 or later Chrome 39.0.2171.95 or later Firefox® 34.0.5 or later Safari 8.0 or later

²For service use only.

Storage and operating requirements

Power requirements	19V at 5A DC
Power consumption at 77°F (25°C)	≤ 60 W
Operating temperature	32–122°F (0–50°C)
Storage temperature	-40–140°F (-40–60°C)
Humidity	85% relative humidity, non-condensing
Regulatory certification	UL (U.S./Canada), FCC, IC, CE Mark, RCM Mark
Environmental compliance	
European Union	RoHS, Packaging, WEEE and REACH
U.S.	Packaging and Conflict Minerals

Certification and compliance

Regulatory certification	UL (U.S./Canada), FCC, IC, CE Mark, RCM Mark
Environmental compliance	
European Union	RoHS, Packaging, WEEE and REACH
U.S.	Packaging and Conflict Minerals

Purchasing information

Order number	
UGK-KAPPIQ-AM30	SMART kapp iQ appliance for SMART Board 6000/8000i-G5 series interactive flat panels
Warranty	
North America, UK and Australia	One-year limited equipment warranty
Europe	Two-year limited equipment warranty

smartkapp.com
 smartkapp.com/support

© 2015 SMART Technologies ULC. All rights reserved. SMART kapp, SMART kapp iQ, Pen iQ, DVIT, smarttech, the SMART logo and all SMART taglines are trademarks or registered trademarks of SMART Technologies ULC in the U.S. and/or other countries. iPhone, iPad, iPod touch and Safari are trademarks of Apple Inc., registered in the U.S. and other countries. Google Play, Android and Chrome are trademarks of Google Inc. The Bluetooth word mark is owned by the Bluetooth SIG, Inc. and any use of such marks by SMART Technologies ULC is under license. This product and/or use thereof is covered by one or more of the following U.S. patents: www.smarttech.com/patents. Contents are subject to change without notice. 06/2015.