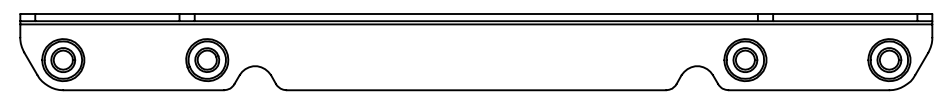
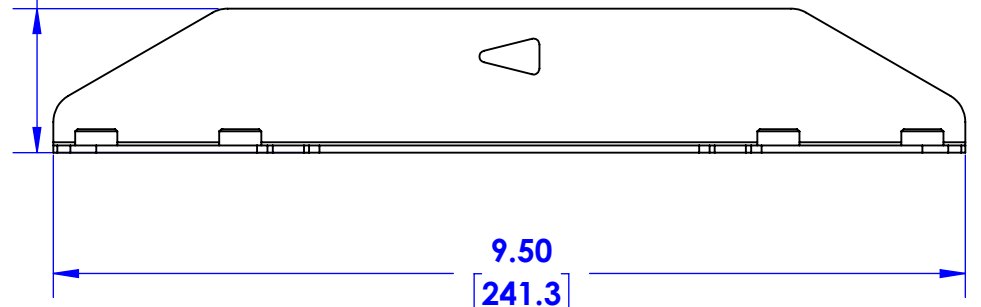


D  
C  
B  
A

D  
C  
B  
A

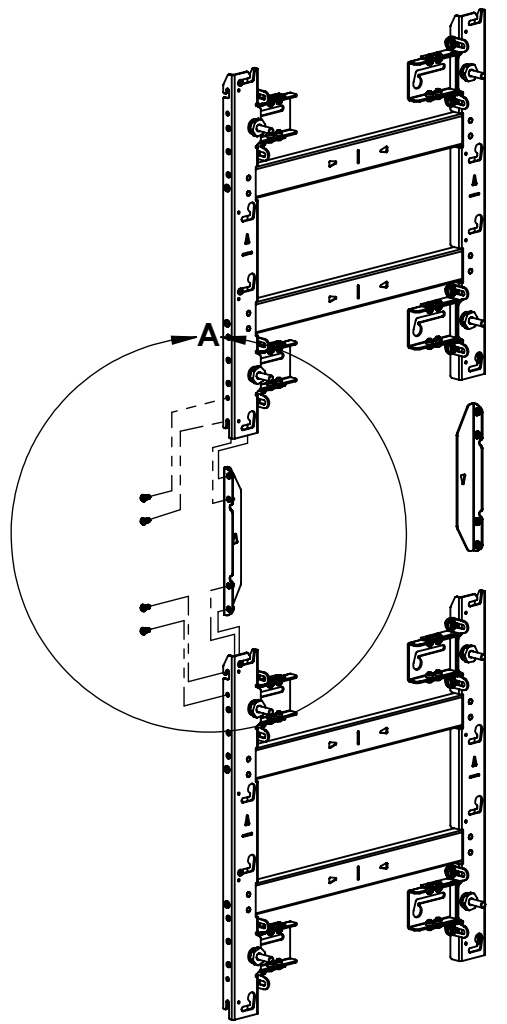


1.50  
[38.1]

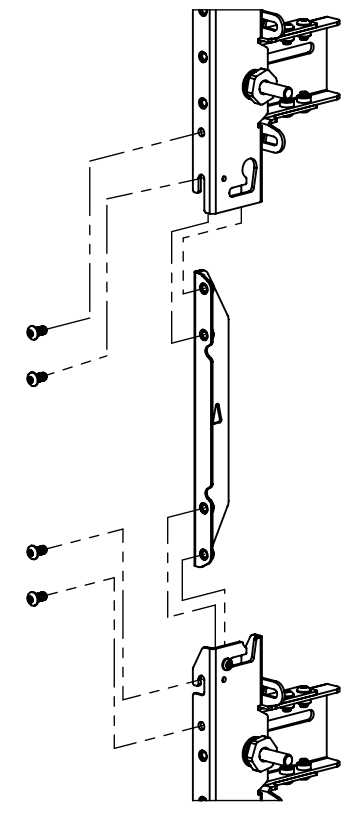


9.50  
[241.3]

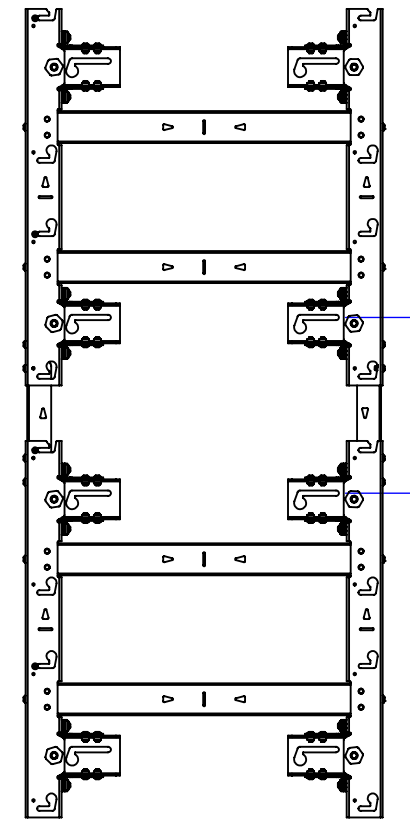
**KIT INCLUDES TWO BRACKETS**



**SHOWN WITH TWO  
TIL1X2AA  
(SOLD SEPARATELY)**



**DETAIL A  
SCALE 1 : 6**



11.0  
[279.0]

THE INFORMATION AND DESIGNS CONTAINED IN THIS DRAWING ARE CONFIDENTIAL AND THE PROPRIETARY PROPERTY OF MILESTONE AV TECHNOLOGIES NEITHER THIS DESIGN NOR ANY INFORMATION CONTAINED IN THIS DRAWING MAY BE REPRODUCED OR DISCLOSED TO OTHERS WITHOUT THE EXPRESS WRITTEN CONSENT OF MILESTONE AV TECHNOLOGIES.

CAD GENERATED DRAWING, DO NOT MANUALLY UPDATE.		
DRAWN BY	JAB	8/30/2018
ENG APPROVAL		
MFG APPROVAL		
QA APPROVAL		
SHEET 1 OF 1		

	6436 CITY WEST PKWY EDEN PRAIRIE MN, 55344 PHONE: 866-977-3901 FAX: 877-894-6918	
	DESCRIPTION <b>ABSSEN, ACCLAIM SERIES LED MOUNTS, VERTICAL CONNECTOR</b>	
MODEL NO. <b>TILVABAA</b>		REV. <b>00</b>
SIZE <b>B</b>	DWG. NO. <b>TECH-000955</b>	