

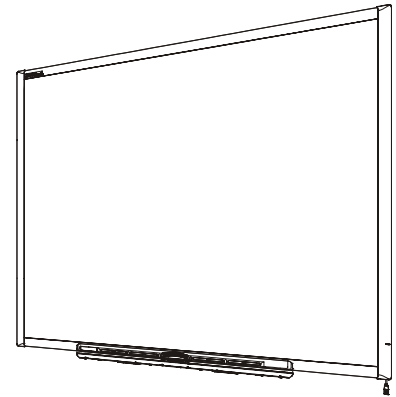
Specifications

SMART Board™ interactive whiteboard

Model 660

Physical specifications

Size	54 3/4" W × 41 5/8" H × 5 1/8" D (139.2 cm × 105.8 cm × 13 cm)
Active screen area (maximum interactive, projected image)	51 1/4" W × 38 1/4" H (130.2 cm × 97.2 cm) 64" diagonal (162.6 cm)
FS670 floor stand (with SB660 installed)	54 3/4" W × 64" to 78" H × 40 3/8" D (139.1 cm × 162.5 cm to 198.1 cm × 102.5 cm)
Weight	21 lb. 14 oz. (9.9 kg)
Shipping size	
1 unit	46" W × 64 1/2" H × 5 1/2" D (116.8 cm × 163.8 cm × 14 cm)
8 units on pallet	47" W × 69 1/2" H × 45" D (119.4 cm × 176.5 cm × 114.3 cm)
Shipping weight	
1 unit	35 lb. (15.9 kg)
8 units on pallet	280 lb. (127.3 kg)



All dimensions +/- 1/8" (0.3 cm). All weights +/- 2 lb. (0.9 kg)

Standard features

Software	SMART Notebook™ collaborative learning software included. See the SMART Notebook release notes for a complete list of system requirements. Software upgrades are available at smarttech.com/software .
Pen tray	Optical sensors in the pen tray detect when you lift a pen or eraser from the tray. LEDs show the active tool.
Pens and eraser	Black, blue, red and green pen tray pens and a rectangular eraser
Resolution	Touch resolution is approximately 4000 × 4000.
Screen surface	The hard-coated surface is tear proof, optimized for projection, compatible with dry-erase markers and easily cleaned with whiteboard cleaner.
Digitizing technology	Resistive
Frame finish	Two-tone gray (approximates Pantone® Charcoal Gray 18-0601 TPX) and Ultrasonic Chrome (approximates metallic Pantone 877 C)
Wall-mount bracket	32" (81.3 cm) wide with five screws and drywall anchors to support a wall-mounted interactive whiteboard
Computer connection	16' (5 m) USB 2.0 cable
Power requirements	Power is obtained from the computer directly through the USB cable for Windows®, Mac and Linux® computers. Power consumption is less than 1.5 W (300mA at 5V).
Environmental compliance	China EIP, EU RoHS, WEEE
Regulatory certification	CB (TUV), CE, CSA (U.S./Canada), FCC and VCCI
Warranty	Five-year limited equipment warranty upon registration. See warranty document for details.

NOTE

A digital projector is not included with this model of SMART Board™ interactive whiteboard. To take advantage of all interactive features, you must integrate a digital projector.

Storage and operating specifications

Storage	-40°F to 120°F (-40°C to 50°C)
Operation	41°F to 95°F (5°C to 35°C) with up to 80% humidity non-condensing

SMART order number

SB660	64" (162.6 cm) diagonal SMART Board interactive whiteboard
--------------	--

Optional accessories

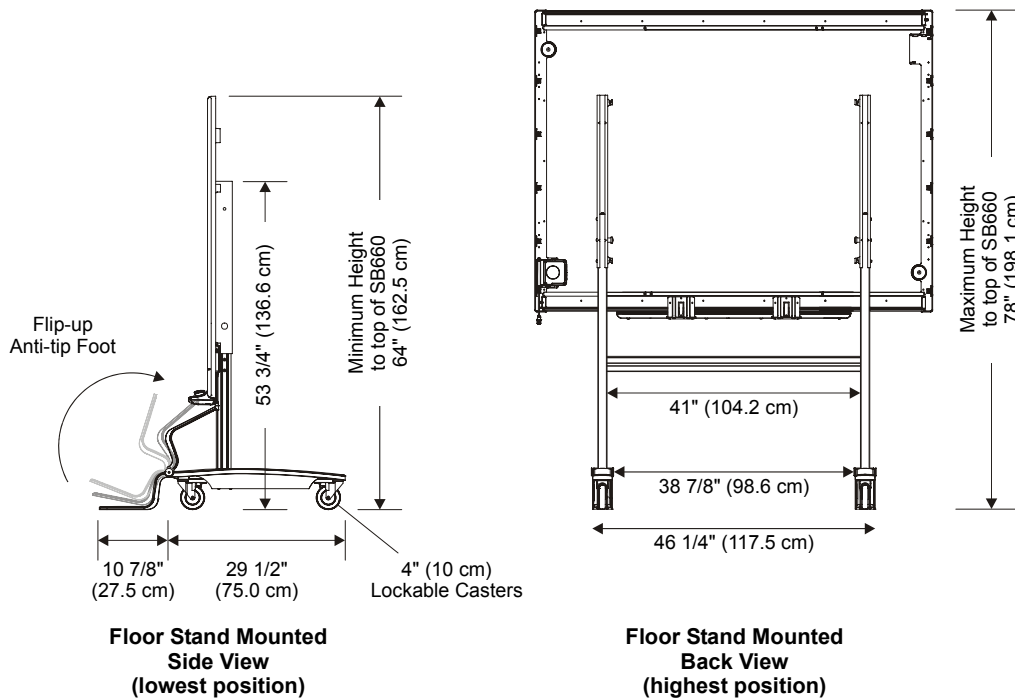
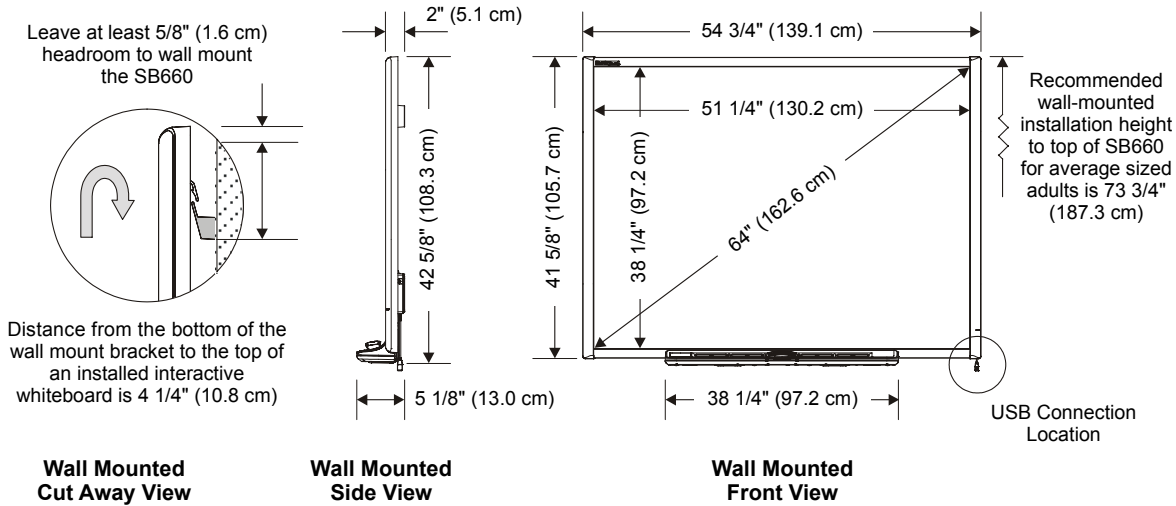
Part number	Description	NA	UK	EU	AU
CCJ660	Padded cover with handles for the SMART Board 660 interactive whiteboard				
HSCJ-660	Hard shipping case for the SMART Board 660 interactive whiteboard and the FS670 floor stand				
FS670	Mobile floor stand with 4" (10.2 cm) lockable casters and flip-up anti-tip feet				
PMWT-660	Projector wall mount for an NEC WT600 or WT610 projector				
RS232-XX	RS-232 to USB conversion module that allows a serial connection to the interactive whiteboard as an alternative to USB	✓	✓		✓
WC6D-XX	Wireless Bluetooth® connection between the SMART Board interactive whiteboard and the computer	✓	✓	✓	✓
SBA-XX	USB audio system with two 14 W speakers that mount to the interactive whiteboard or the wall	✓	✓	✓	✓
SYSON6-XX	SystemOn expansion module wakes up the computer and turns on the projector with one button press	✓	✓	✓	✓
USB-GW	GoWire™ SMART Notebook software auto-launch USB cable				
USB-XT	16' (5 m) USB active extension cable				
CAT5-XT	USB to Cat 5 cable extender set				
RPEN-ER	Replacement set of four pen tray pens (black, red, blue and green) and rectangular eraser				
RPEN	Replacement set of four pen tray pens (black, blue, red and green)				
SPT	Set of four pointers (blue, red, green and yellow)				

NOTE

Part numbers ending in XX include region-specific power supplies for the countries or regions indicated by ✓ at the right. When ordering, substitute XX in the part number with the appropriate country code, as follows:

- NA = U.S. and Canada
- UK = United Kingdom
- EU = European Union
- AU = Australia

Physical dimensions



www.smarttech.com/support www.smarttech.com/contactsupport
 Support +1.403.228.5940 or Toll Free 1.866.518.6791 (U.S./Canada)

