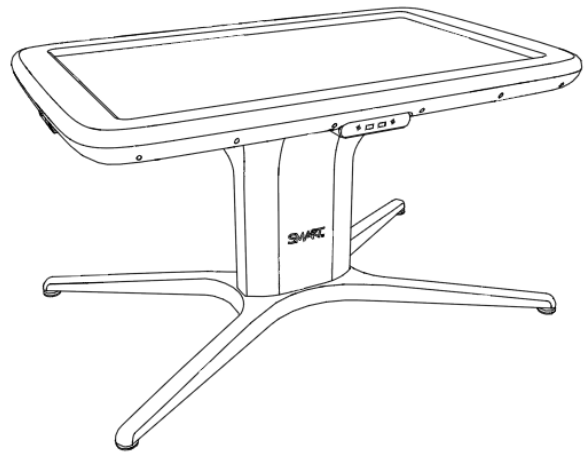


SMART[®]



***Service Parts
Diagrams***

**For Model:
ST442i**

Service Parts Diagrams Revision History

Revision 1 - April, 2013

- New document

Revision 2 - October, 2013

- Add 1019631

Revision 3 - July, 2014

- Add 1022204
- Remove ST-DCC

Standard Warranty Terms

Two-year limited equipment warranty

First Customer Ship: April, 2013

SMART Technologies

3636 Research Road NW

Calgary, AB T2L 1Y1

CANADA

Support +1.403.228.5940 or Toll Free 1.866.518.6791 (Canada/U.S.)

Support Fax +1.403.806.1256

www.smarttech.com/contactserviceparts www.smarttech.com

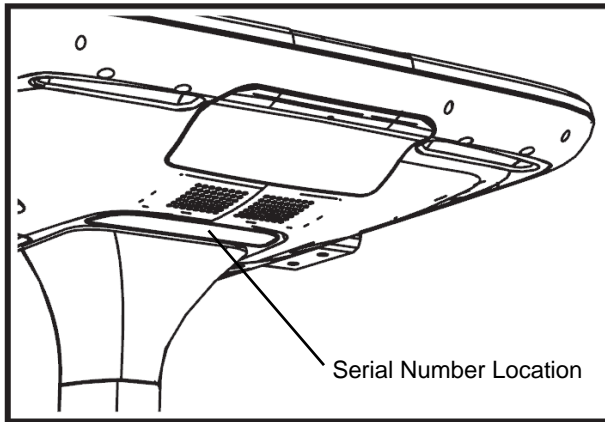
The SMART logo consists of the word "SMART" in a bold, stylized, sans-serif font. The letters are black with a white outline, and a registered trademark symbol (®) is located at the bottom right of the letter "T".

Service Parts Diagrams for the ST442i

- Identifying Your Product Using the Serial Number 1
- Ordering Parts 1
- Tabletop Parts 2
- Pedestal Parts 3
- Optional Caster Kit - ST442i (Part No. ST-CSTR) 4

Identifying Your Product Using the Serial Number

To make sure that you have the correct service parts diagrams, you must verify the serial number of your ST442i. The serial number is located on the underside of the tabletop. An example of the serial number format is shown below.



K012FW18E0003

Unique Serial Number

Ordering Parts

Customers

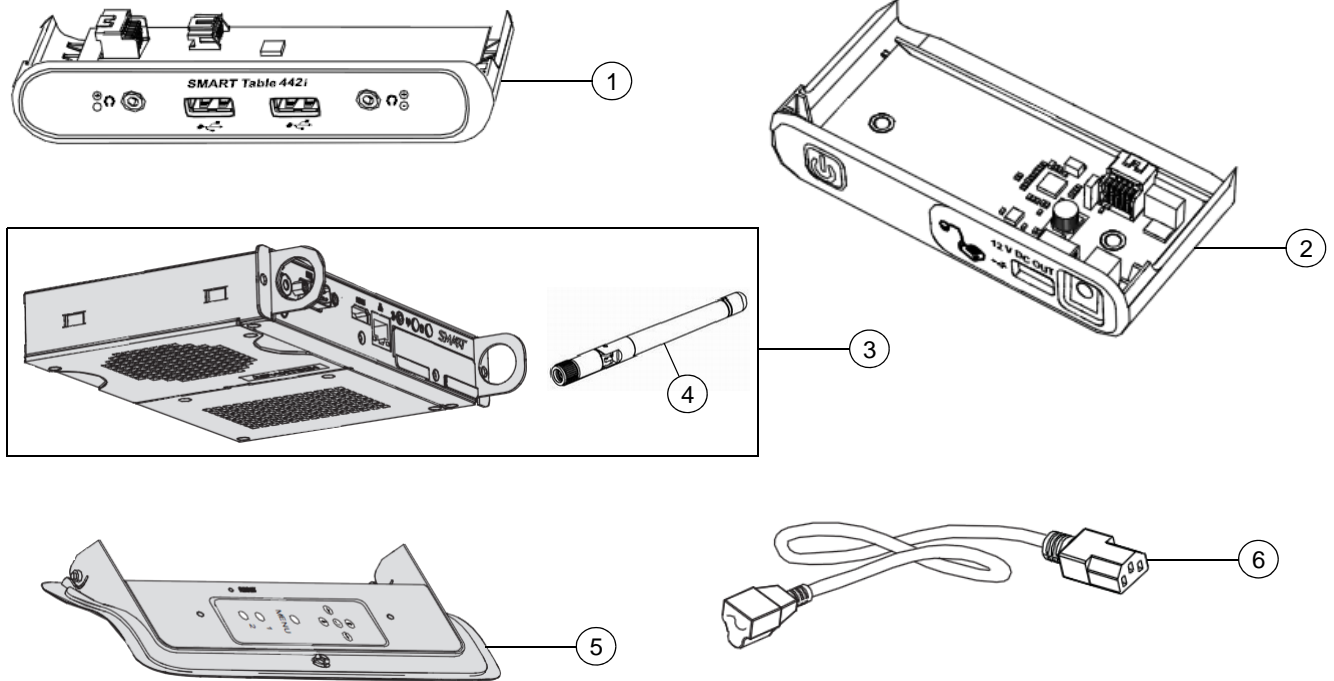
To order any of the parts in these service parts diagrams, contact your local reseller. To find a reseller near you, visit www.smarttech.com/where.

Dealers and Distributors

For specific technical and pricing enquiries in regards to these diagrams please contact our service parts department. Pricing is also available on-line via the SOURCE website (source.smarttech.com).

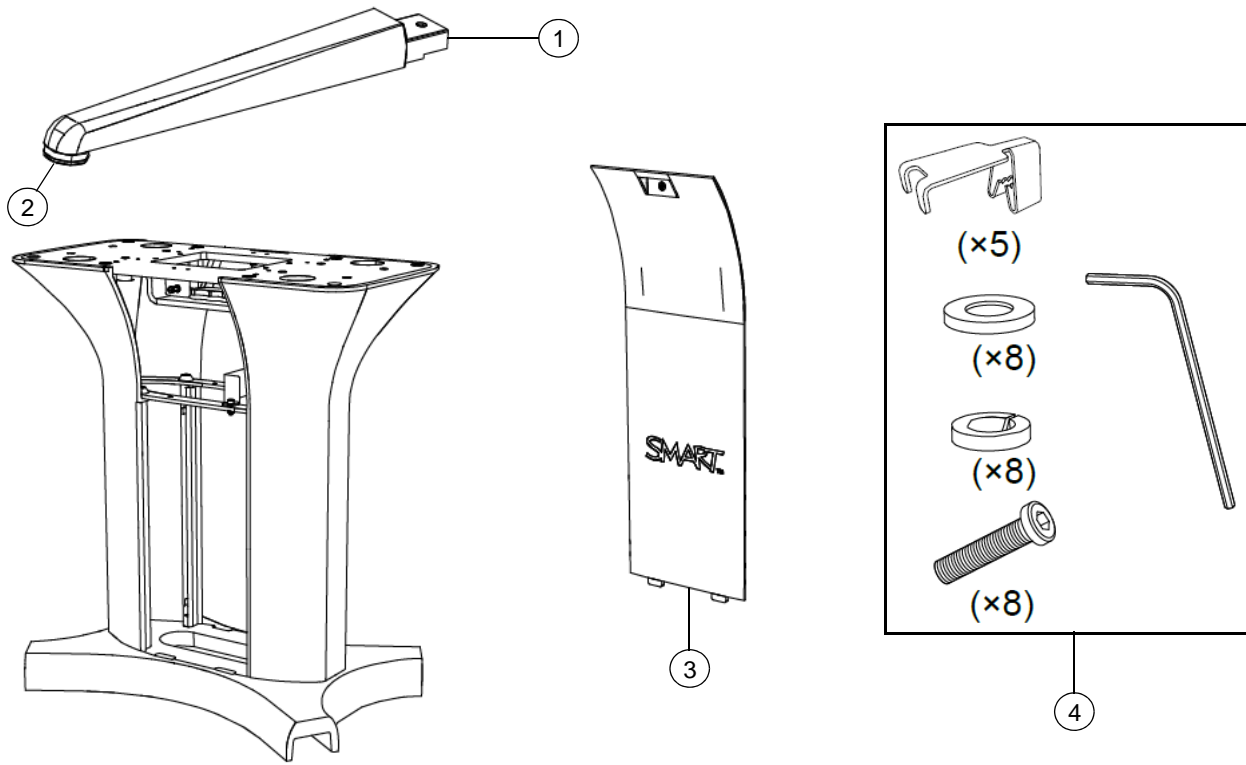
Web Form: www.smarttech.com/contactserviceparts
Phone: 1.888.42.SMART
International: +1.403.245.0333

Tabletop Parts



Item	Part No.	Qty	Description
1	FRU-STUDENT-ST442I	2	FRU, module, student, ST442i NOTE: Comes attached to the ST442i.
2	FRU-TEACHER-ST442I	1	FRU, module, teacher, ST442i NOTE: Comes attached to the ST442i.
3	FRU-APPLIANCE-ST442I	1	FRU, appliance, ST442i NOTE: Comes attached to the ST442i. Includes item 4.
4	1019631	1	2.4GHz external antenna NOTE: Comes attached to the ST442i.
5	FRU-OSD-ST442I	1	FRU, module, on screen display controls, ST442i NOTE: Comes attached to the ST442i.
6	93-051	1	Cable, power, North America, 8' (2.4 m)
6	93-055	1	Cable, power, United Kingdom, 8' (2.4 m)
6	93-056	1	Cable, power, Australia, 8' (2.4 m)
6	93-054	1	Cable, power, Europe, 8' (2.4 m)
6	1022204	1	Cable, power, Taiwan, 8' (2.4 m)

Pedestal Parts



Item	Part No.	Qty	Description
1	1020696	4	Leg, pedestal NOTE: Item 2 is not included.
2	1018731	4	Foot, leveling, pedestal
3	1020044	2	Assembly, panel, cover, 26" and captive screw
4	1019941	1	Assembly, hardware kit, pedestal

Optional Caster Kit - ST442i (Part No. ST-CSTR)

