

Artison

Masterpiece LCR Dual Center MK2 Speaker Installation Guide

Box Contents

- (2) Masterpiece LCRDM MK2 Speakers (M-LCRDM-MK2)
- (2) Masterpiece LCRDM MK2 Brackets (MLCRDM-M-BRACKET)
- (4) Thumbscrews (THUMBSCREWS)
- (1) Pair of White Gloves
- (1) Product Information and Regulatory Insert (009-1967-xx)

Optional Accessories

- Universal Mounting Bracket for Flat Panel TV - (Various Sizes)
- Custom Grilles matched to Flat Panel TVs
- In-Wall Mounting Kit (LCRDM-IW-KIT)
- In-Wall Pre-Construction Bracket (LCRDMIWKIT-PCB)

Specifications

Environmental

Temperature	32° to 104° F (0° to 40°C)
Humidity	10% to 90% Relative Humidity (non-condensing)

Dimensions and Weights

	Height	Width	Depth	Weight
Speaker (no bracket)	29.6 in (75.18 cm)	6.0 in (15.24 cm)	2.5 in (6.35 cm)	13.45 lbs (6.10 kg)
**Speaker (with Grille)	30 in (76.2 cm)	6.5 in (16.51 cm)	2.8 in (7.11 cm)	14.45 lb (6.55 kg)
Shipping	35.0 in (89.0 cm)	8.0 in (20.32 cm)	10.0 in (25.4 cm)	30.0 lbs (13.6 kg)

**The height shown above is the minimum height grille available for the Masterpiece LCR speaker. For aesthetic purposes, the Flat Panel TV selected should be 30 in (76.2 cm) or taller.

Regulatory

RoHS Compliant

Driver Complement

- (4) - 3.5 inch Carbon Fiber, Long Throw Midrange/Woofers
- (2) - 8 x 10 inch ART Drivers in a Curved Line Array
- (1) - 1.0 inch Stage Tweeter

Frequency Response

LCR Channels 80 Hz - 30 Hz (+/-) 3dB

Recommended Power

100 - 250 watts/channel

Sensitivity

89 dB @ 2.83 Volts, 1 Meter

Nominal Impedance

6 Ohms

Enclosure Type

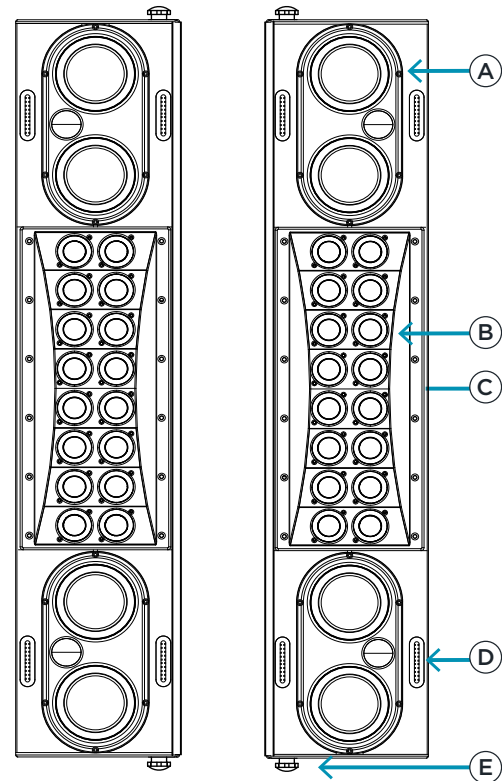
Bass Reflex

Cabinet / Finish

Extruded Aluminum in Black Anodized. Grille cloth is available in Black and Light Grey.

Overview

The Masterpiece Dual Center MK2 speakers are designed for use with any video display to provide a high performance home theater Front Channel LCR solution. Housed in an all aluminum enclosure, the patented Dual Center Channel design uses an array of two center channels, one left channel, and one right channel to deliver high performance sound to create one **Total Involvement Experience®**.

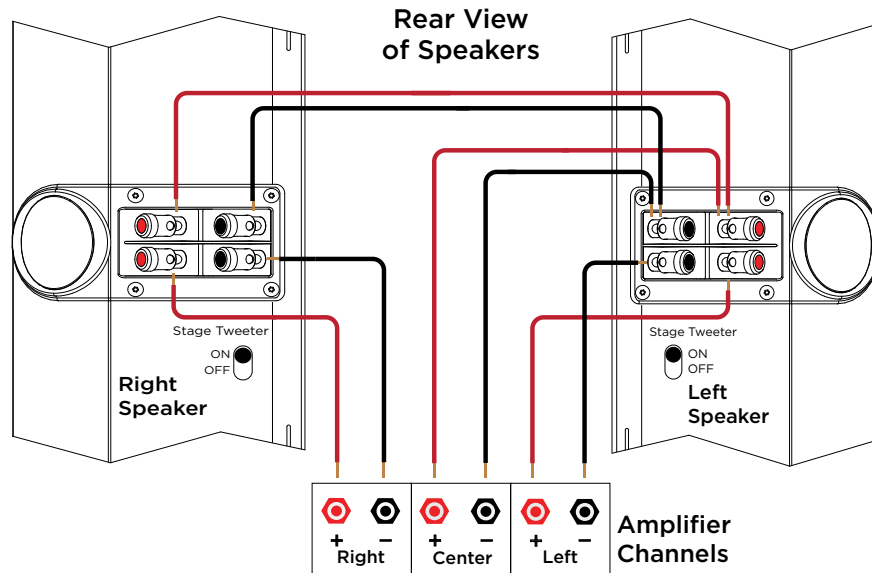


- (A) Four 3.5 inch Carbon Fiber, Long Throw Midrange/Woofers
- (B) Two (8 x 1 inch) ART Drivers in a Curved Line Array
- (C) One 1 inch Stage Tweeter (rear of speaker enclosure)
- (D) Slots for mounting speaker grilles. Four slots are located in each corner of speaker enclosure.
- (E) Mounting bracket with thumbscrews. Bracket can mount to an existing wall or to one of the universal mounting brackets (UMB-xx) available through the Savant Store.

Artison

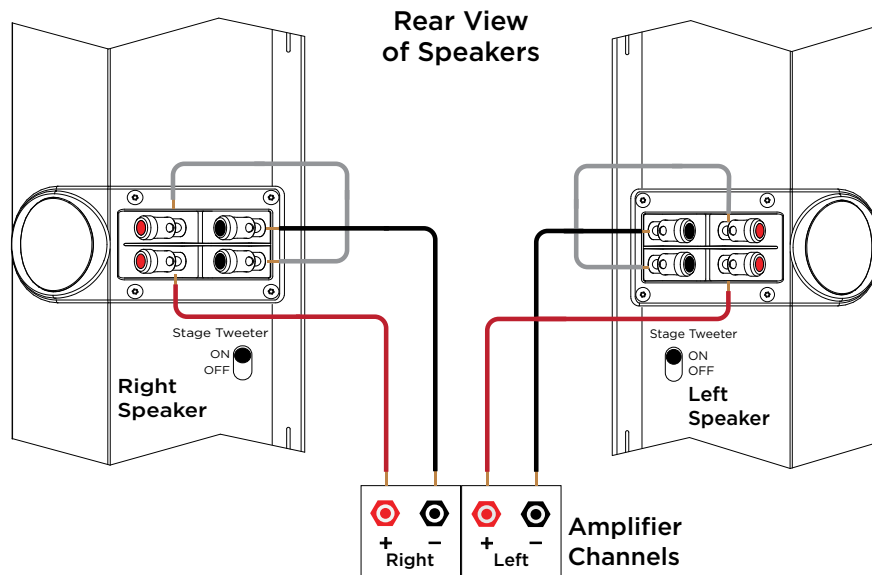
3-Channel Wiring

The diagram below shows connections to a multichannel amplifier with three separate front channels (left, right, and center). In this scenario, the center channel is nominal 6 ohms in the parallel configuration shown.



2-Channel Wiring

The diagram below shows connections to a stereo amplifier with two separate channels (left and right). In this scenario, each channel is nominal 10 ohms.



Making Connections

The steps below describe how to connect a wire to the terminals on the rear of the speaker.

1. Strip insulation so there is $\frac{3}{8}$ inch (9mm) of exposed wire.
2. Press down on the top of the round spring loaded terminal jack until the holes in the side of terminal align.
3. Insert wire into opening and release the terminal jack. The spring loaded terminal will now hold the wire securely in place.
4. Tug on the wire to ensure a secure connection.

HELPFUL!

- #16 AWG is recommended for wire lengths up to 50 feet.
- #14 AWG is recommended if wire length is longer than 50 feet but less than 100 feet.
- #12 AWG is recommended if wire length is longer than 100 feet but less than 300 feet.
- #12 AWG is the maximum wire gauge that will fit into the push pin terminals.

Artison

Stage Tweeter (On/Off Switch)

The Stage Tweeter on the rear of the speaker enclosure widens the left and right channel separation by directing out-of-phase high frequencies (6 kHz and higher) against the adjacent wall. The installation will determine whether the stage tweeter switch should be ON/UP or OFF/DOWN. Set the stage tweeter before mounting speaker into the wall mount bracket.

OFF	Installations where the speakers and TV are flush mounted into recessed cabinetry or when mounted flush into the wall using the in-wall mount kit (LCRDM-IW-KIT).
ON	All other installations.

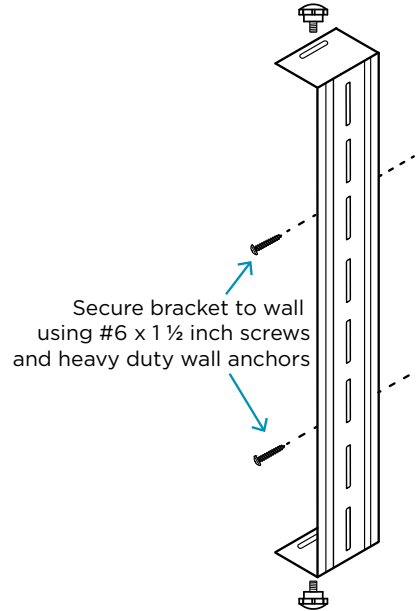
Install Main LCR Brackets

Each LCRDM MK2 speaker includes a mounting bracket. These brackets are mounted to each speaker for shipment. Follow instructions below to mount to an existing wall or similar.

⚠ IMPORTANT! DO NOT place speakers face down as this can permanently damage the individual drivers.

1. Remove thumbscrews from top and bottom of speakers and remove mounting bracket.
2. Position the bracket on the wall (either left or right of TV) and with a level, ensure bracket is plumb.
3. With a pencil, mark the two mounting slots. See image to the right.
4. If there is a sub wall to screw to, secure the bracket using #6 self tapping screws (not included). If there is no sub wall, sturdy drywall anchors that can support at least 20 lbs (9.07 kg) can be used.
5. Repeat steps 1 - 4 and mount the second speaker bracket at the opposite side of the TV.

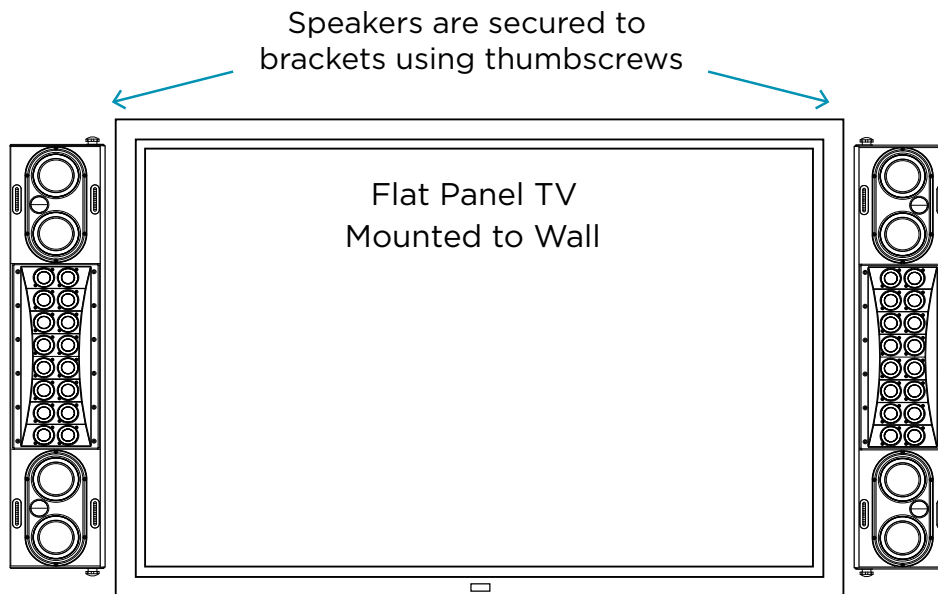
NOTE: The LCR brackets along with the Universal Mounting Brackets (UMB-xx) can also be used to mount the LCR speakers directly to the side of a TV. For installation instructions, refer to the documentation included with the Universal Mounting Brackets.



Mount Speakers

With the speakers wired and Stage Tweeter ON/OFF switch set, mount the speaker enclosure into the wall mount brackets installed in the **Install Main LCR Brackets** section above.

1. Slide the right channel speaker enclosure into the wall mount bracket with the stage tweeter facing away from the TV.
2. Secure the speaker to the bracket using the thumbscrews removed in the previous section.
3. Repeat steps 1 and 2 and mount the left channel speaker into the wall mount bracket. When complete, the installation will look like the example below.



Artison

Fine Tune Speakers

To fine tune the A/V Receiver/Processor, set using the following:

- Set Speakers to **SMALL**
- Set Crossover Frequencies
 - Dual Center = 80 Hz
 - Left and Right = 80 Hz
- Crossover Slope = 18 dB/octave or greater.

NOTE: These settings are intended to be a starting point for testing. Every individual will experience audio differently so what sounds good to the installer may not sound good to the user.

Mount Grilles

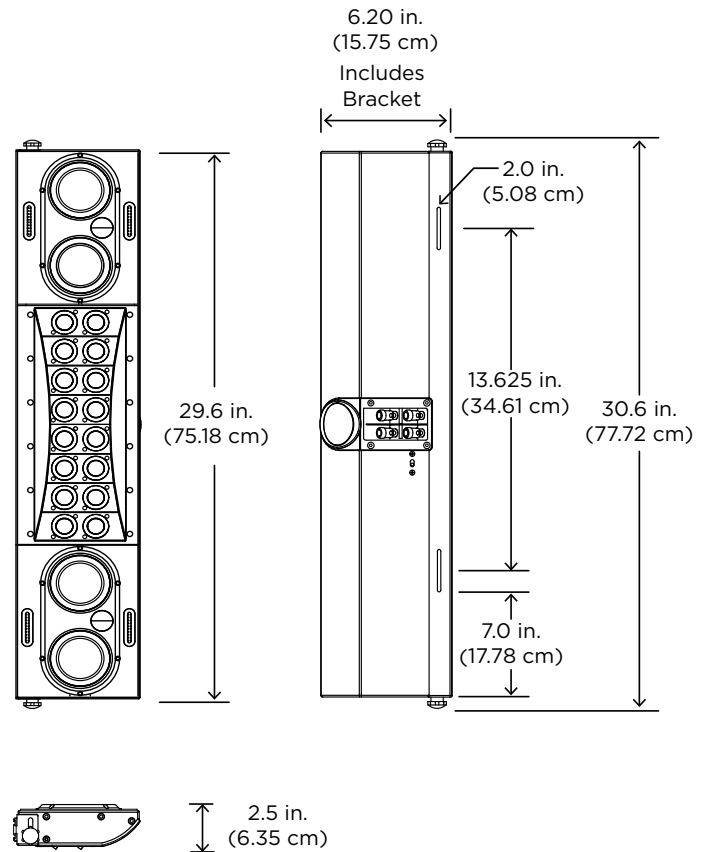
1. Position the tabs on the grille so they line up with the four slots in each corner on the face of the speaker enclosure.
2. Apply with an inward pressure on each of the corners until grille is set into position.

HELPFUL! The slots in the speakers are roughly ¼ inch longer than the tabs in the grilles. When installing, adjust the grille up or down to align with the TV before pressing into position.

Custom Grilles

For customers who have not yet purchased speaker grilles, Savant offers a free online tool to assist with designing and ordering custom grilles to suit the needs of individual installations. To access the Grille Designer tool, visit www.savant.com, select the **Store** tab, then choose the Grille Designer from the **Tools** dropdown menu.

Dimensions



NOTE: Grilles will add .3 in (.76 cm) to the overall depth of the speaker assembly.