

Specifications

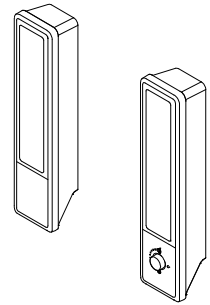
20 W audio system for SMART Board® interactive whiteboard systems

Model SBA-V

Overview

The 20 W audio system for SMART Board® interactive whiteboard systems connects to the projector and has a volume control dial. It can be used with front-projection systems that include an extended control panel (ECP) without a volume control dial or with interactive whiteboards that don't include a projector or an ECP, such as the SMART Board 480 interactive whiteboard.

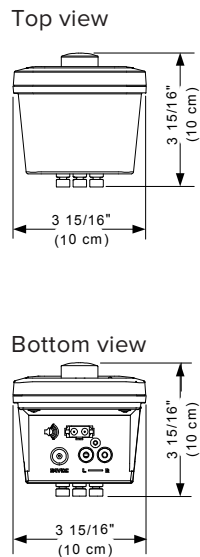
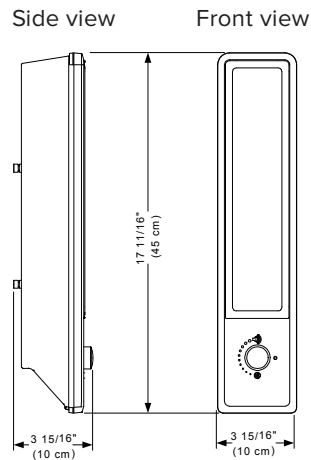
See smarttech.com for more information on this product.



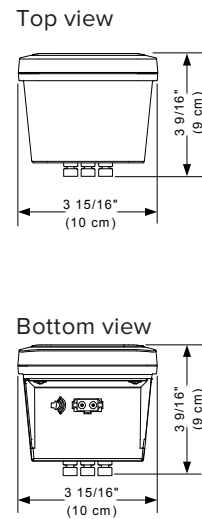
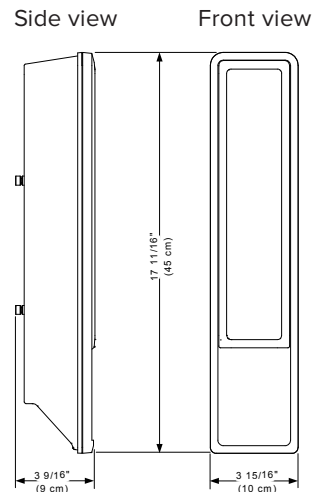
Dimensions and weights*

Dimensions

Right (active) speaker



Left (passive) speaker



Weight

- Both speakers
- 8 lb. (3.8 kg)
- With brackets
- 10 lb. 2 oz. (4.6 kg)

Shipping size

21" W × 8" H × 11" D
(53.3 cm × 20.3 cm × 27.9 cm)

Shipping weight

14 lb. 13 oz. (5.8 kg)

*All dimensions ± 1/32" (1 mm). All weights ± 1/2 lb. (225 g).

Standard features

Mounting brackets	Enable you to wall-mount the speakers or attach them directly to a SMART Board interactive whiteboard
Color	Dark gray (approximates PANTONE® Charcoal Gray 18-0601 TPX)
Control	The combination power button and volume dial located on the front of the right (active) speaker enables you to turn the speakers on or off and adjust the volume
Automatic activation	When turned on, the speakers immediately activate when they receive an audio signal.
Standby mode	The speakers enter Standby mode when they don't receive an audio signal for an extended period of time to reduce power consumption
LED status light	The LED status light is green when the speaker is activated, amber when the speaker is in Standby mode and off when the speaker is off.
Audio input cables	A 14' 9" (4.5 m) 3.5 mm mini phone plug to dual RCA cable to connect your system's projector to the right speaker A 9' 10" (3 m), 16 AWG wire speaker cable with two polarized Molex® connectors to connect the right speaker to the left speaker
Audio output	The audio system provides a comfortable listening volume in rooms up to 1,000 square feet (90 square meters) in size
Output power	20 W RMS, both channels driven simultaneously at less than 1% total harmonic distortion
Amplifier	Class D
Frequency range	100 Hz–20,000 Hz
Impedance	6 Ω
Maximum output	90 dB SPL or greater
Drivers per channel	Two 3" woofers and one 1" tweeter
Power supply	
Size	4 1/8" × 1 5/16" × 1 1/4" (10.5 cm × 4.5 cm × 3.3 cm)
Power cable	A 14' 9" (4.5 m) country-specific power cable
Input	Switching-mode power supply (100V to 240V AC, 50 Hz to 60 Hz, 1.5A)
Output	18V DC, 3A
Power consumption in Standby mode	2 W or less

Storage and operating requirements

Storage	-40°F to 122°F (-40°C to 50°C) with up to 95% humidity, non-condensing
Operating	41°F to 95°F (5°C to 35°C) with up to 80% humidity, non-condensing Caution: Ensure that the speakers are within the operating temperature range before you use them.

Certification and compliance

Regulatory certification TUV (Canada/U.S.), CE, FCC, IC, C-Tick

Environmental compliance CPSIA, EU RoHS, China EIP, EU WEEE

Purchasing information

Order number

SBA-V 20 W audio system for SMART Board interactive whiteboard systems

Warranty One-year limited equipment warranty

smarttech.com/support
smarttech.com/contactsupport

© 2011–2014 SMART Technologies ULC. All rights reserved. SMART Board, smarttech, the SMART logo and all SMART taglines are trademarks or registered trademarks of SMART Technologies ULC in the U.S. and/or other countries. All third-party product and company names may be trademarks of their respective owners. This product and/or use thereof covered by one or more of the following U.S. patents. www.smarttech.com/patents. Contents are subject to change without notice. 05/2014.