

Curved Multi Format Imager

Curved Automatic Electric Projection Masking System



SPECIFICATION DATA

SUGGESTED SPECIFICATIONS: _____ screen and masking system(s), _____(H) x _____(W), electrically operated 120V (60 Hz) not more than 2.4 amp. Shall have specially designed motors mounted inside the roller, to be three wire with ground, quick reversal type, oiled for life, with automatic thermal overload cutout, integral gears, capacitor and an electric brake to prevent coasting. Motorized roller to be cold drawn steel. Channels and roller boxes to be aluminum custom extruded shapes finished with black pro-trim covering. To be complete with integrated low voltage control unit, infrared

wireless control for operation and control switch with cover plate for masking adjustment only.

The Curved Multi Format Imager shall mask screen equally from each side, closing to predetermined alternate formats.

Horizontal strips of masking fabric mounted to vertical aluminum slat bars finished with black Pro-Trim®. Bar and masking fabric to slide inward from right and left on operation.



Available Sizes

Masking Open Viewing Area (H x W)		Cinemascope Diagonal (2.40:1)		Cinemascope Diagonal (2.35:1)		Letterbox Diagonal (1.85:1)		HDTV Diagonal (1.78:1)		NTSC Diagonal (1.33:1)	
In.	Cm	In.	Cm	In.	Cm	In.	Cm	In.	Cm	In.	Cm
40½" x 97"	103 x 246	105"	267	103"	262	85"	216	83"	211	67½"	171
45" x 108"	114 x 274	117"	297	115"	292	95"	241	92"	234	75"	191
49" x 117½"	124 x 298	127"	323	125"	318	103"	262	100"	254	82"	208
52" x 124¾"	132 x 317	135"	343	133"	338	110"	279	106"	269	87"	221
54" x 129"	137 x 328	140"	356	137"	348	114"	290	110"	279	90"	229
58" x 139½"	147 x 354	151"	384	148"	376	122"	310	119"	302	97"	246
65" x 156"	165 x 396	169"	429	166"	422	137"	348	133"	338	108"	274
78" x 187¼"	198 x 476	203"	516	200"	508	164"	417	160"	406	130"	330
80" x 192"	203 x 488	208"	528	204"	518	168"	427	163"	414	133"	338

Radius and Angle

Masking Open Viewing Area (H x W)		Radius		Cinemascope Diagonal (2.40:1)	Cinemascope Diagonal (2.35:1)	Letterbox Diagonal (1.85:1)	HDTV Diagonal (1.78:1)	NTSC Diagonal (1.33:1)
In.	Cm	In.	Cm	Angle	Angle	Angle	Angle	Angle
40½" x 97"	103 x 246	360"	914	15.4°	15.1°	11.9°	11.5°	8.6°
45" x 108"	114 x 274	360"	914	17.2°	16.9°	13.3°	12.7°	9.5°
49" x 117½"	124 x 298	480"	1219	14.0°	13.7°	10.8°	10.4°	7.8°
52" x 124¾"	132 x 317	480"	1219	14.9°	14.6°	11.5°	11.0°	8.3°
54" x 129"	137 x 328	480"	1219	15.4°	15.0°	11.9°	11.5°	8.6°
58" x 139½"	147 x 354	480"	1219	16.7°	16.3°	12.8°	12.4°	9.2°
65" x 156"	165 x 396	684"	1737	13.1°	12.8°	10.1°	9.7°	7.3°
78" x 187¼"	198 x 476	684"	1737	15.7°	15.4°	12.1°	11.6°	8.7°
80" x 192"	203 x 488	684"	1737	16.1°	15.8°	12.4°	11.9°	8.9°

Overall Size and Weight

Masking Open Viewing Area (H x W)		Overall Height A*		Overall Width B*		Overall Depth C*		Hanger Bracket Width D*		Approximate Shipping Weight	
In.	Cm	In.	Cm	In.	Cm	In.	Cm	In.	Cm	Lb.	Kg
40½" x 97"	103 x 246	56½"	144	113½"	111	10½"	8	82"	208	517	234.5
45" x 108"	114 x 274	61"	155	124½"	122	11½"	9	82"	208	567	257.2
49" x 117½"	124 x 298	65"	165	134"	132	10¾"	8	114"	290	602	273.1
52" x 124¾"	132 x 317	68"	173	141¼"	139	11¼"	9	114"	290	635	288.0
54" x 129"	137 x 328	70"	178	145½"	143	11½"	9	114"	290	655	297.1
58" x 139½"	147 x 354	74"	188	156"	153	12½"	10	114"	290	702	318.4
65" x 156"	165 x 396	81"	206	172½"	170	11½"	9	154"	391	766	347.5
78" x 187¼"	198 x 476	94"	239	203½"	201	13¾"	11	154"	391	957	434.1
80" x 192"	203 x 488	96"	244	208¼"	206	14"	12	154"	391	979	444.1

*See Drawing on Reverse Side

PRODUCT NOTES

- Overall dimensions +/- 1/4" (6 mm).
- Specifications subject to change without notice.
- Custom formats and sizes available upon request.

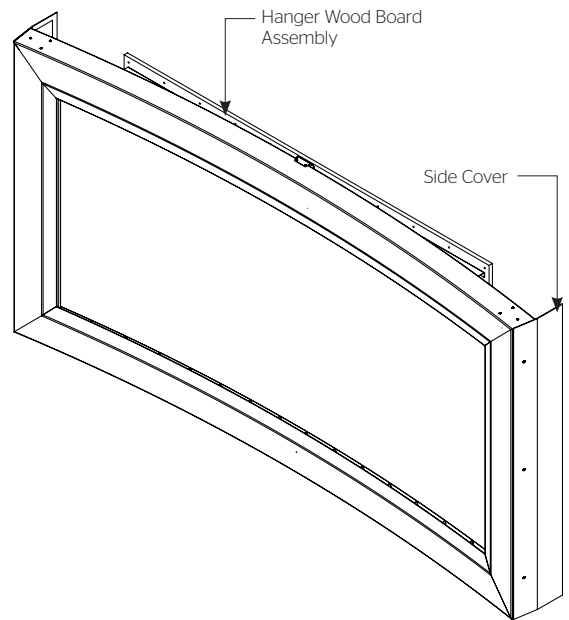
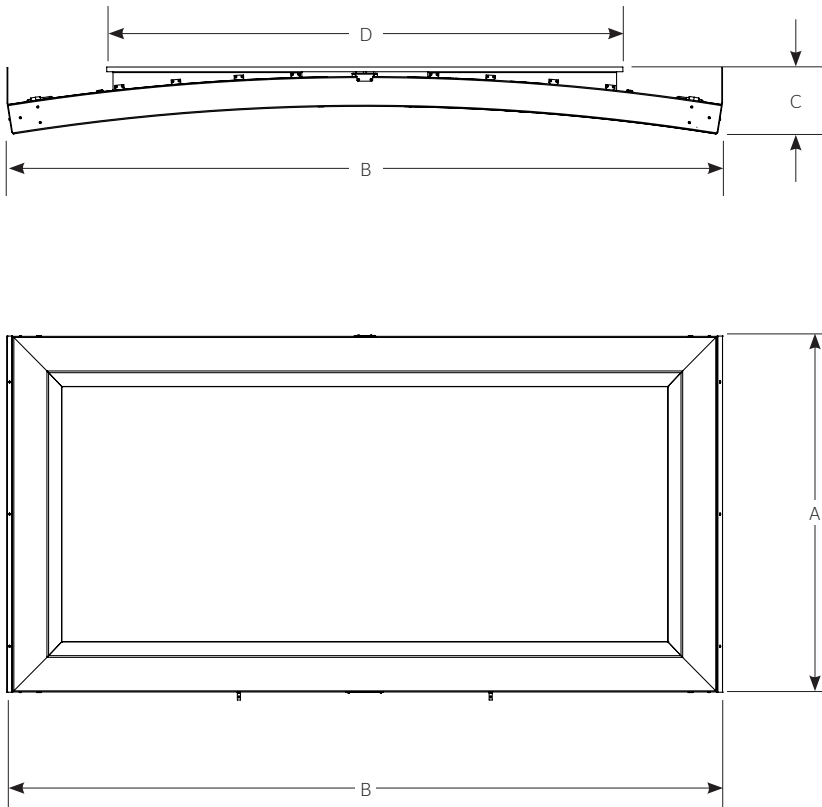
WHEN ORDERING, MARK APPROPRIATE SELECTIONS:

- Select size from charts.

<input type="checkbox"/> HD Progressive 0.6	<input type="checkbox"/> HD Progressive 1.3
<input type="checkbox"/> HD Progressive 0.9	<input type="checkbox"/> HD Progressive 1.1 Perf
<input type="checkbox"/> HD Progressive 1.1	
- Optional accessories:

<input type="checkbox"/> Radio Frequency Wireless Remote Control for LVC System.	<input type="checkbox"/> Locking Switch Cover Plate for 120 V or 3-Button Switch.
<input type="checkbox"/> Radio Frequency Range Extender available.	<input type="checkbox"/> 220 Volt (50 Hz) motor.

PRODUCT VIEWS



A Milestone AV Technologies Brand

3100 North Detroit Street
 Warsaw, Indiana 46582
 P: 574.267.8101 or 800.622.3737
 F: 574.267.7804 or 877.325.4832
 E: info@da-lite.com
 www.da-lite.com

DL-0320 04.14

© 2014 Milestone AV Technologies LLC. Printed in U.S.A.

Project Name: _____	
Architect: _____	
Contractor: _____	Phone: _____
Reseller: _____	Phone: _____