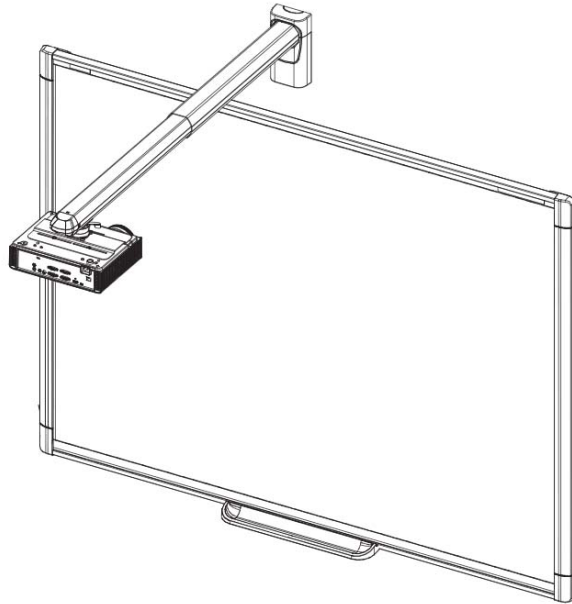


# SMART<sup>®</sup>



## *Service Parts Diagrams*

**For Model:  
SBM680Viv2**

# Service Parts Diagrams Revision History

## Revision 1 - October, 2014

- New document

## Standard Warranty Terms

Base Product: Your interactive whiteboard has a two-year limited equipment warranty. The projector has a three-year limited equipment warranty. The V30 projector lamp has a 3000-hour/three-year warranty.

First Customer Ship: October, 2014

---

**SMART Technologies**

3636 Research Road NW

Calgary, AB T2L 1Y1

CANADA

Support +1.403.228.5940 or Toll Free 1.866.518.6791 (Canada/U.S.)

Support Fax +1.403.806.1256

[www.smarttech.com/contactserviceparts](http://www.smarttech.com/contactserviceparts) [www.smarttech.com](http://www.smarttech.com)



# Service Parts Diagrams for the SBM680Viv2

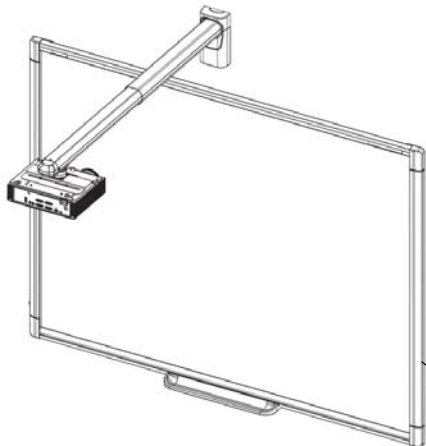
---

- Identifying Your Product Using the Serial Number ..... 1
- Ordering Parts ..... 1
- SBM680V Parts ..... 2
- Optional Board Mounting Hardware Kit (Part No. 1020342) ..... 4
- V30 Parts ..... 5
- Optional Projector Mounting Hardware Kit Assembly (Part No. 1013576) ..... 7



## Identifying Your Product Using the Serial Number

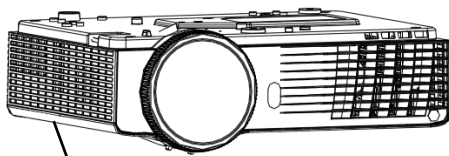
To make sure that you have the correct service parts diagrams, you must verify the serial number of your SBM680Viv2 interactive whiteboard. The SMART Board serial number will be located on the side of the right hand bezel. When mounted, the projector serial number will be visible on the bottom of the projector. An example of the serial number format is shown below.



SMART Board Serial Number Location

Unique Serial Number

**C002FW11A0103**



Projector Serial Number Location

Unique Serial Number

**B011GI10T0175**

## Ordering Parts

### Customers

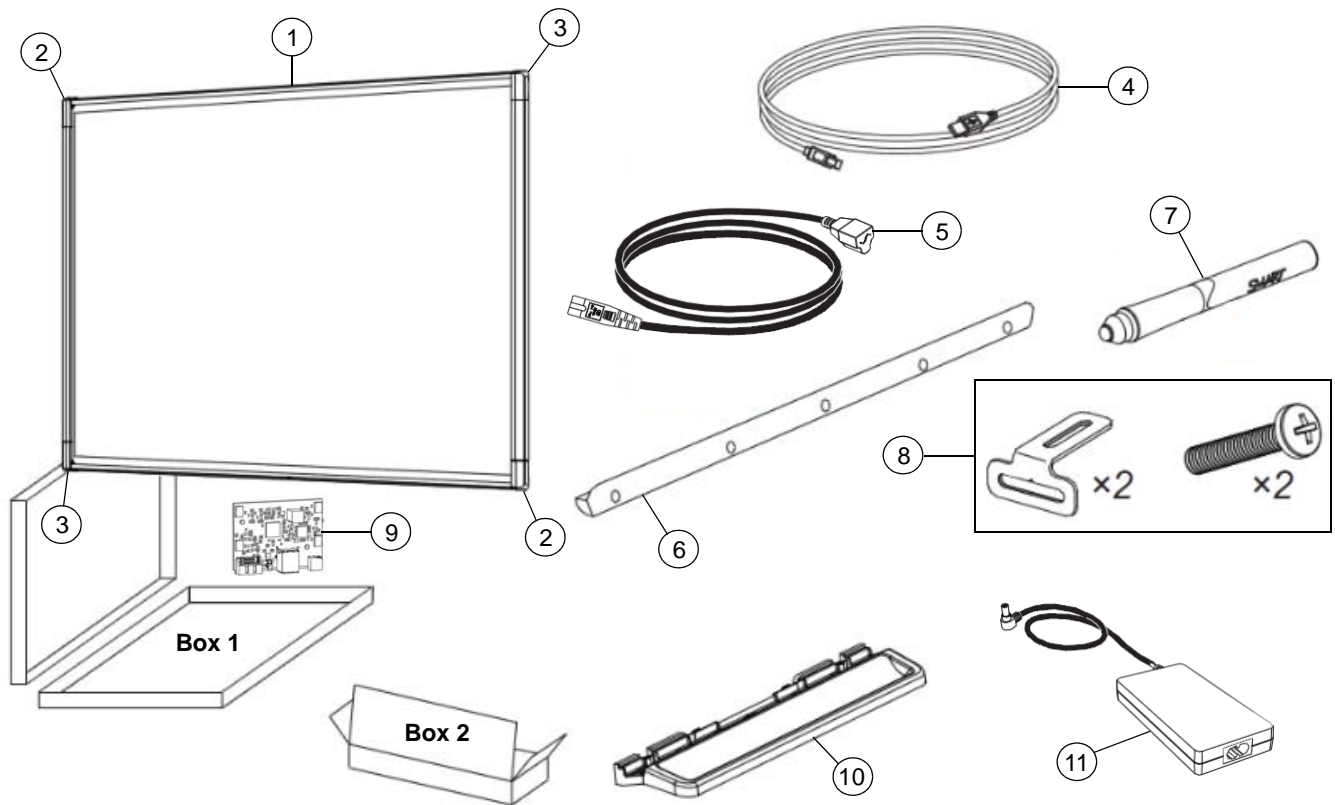
To order any of the parts in these service parts diagrams, contact your local reseller. To find a reseller near you, visit [www.smarttech.com/where](http://www.smarttech.com/where).

### Dealers and Distributors

For specific technical and pricing enquiries in regards to these diagrams please contact our service parts department. Pricing is also available on-line via the SOURCE website ([source.smarttech.com](http://source.smarttech.com)).

Web Form: [www.smarttech.com/contactserviceparts](http://www.smarttech.com/contactserviceparts)  
Phone: 1.888.42.SMART  
International: +1.403.245.0333

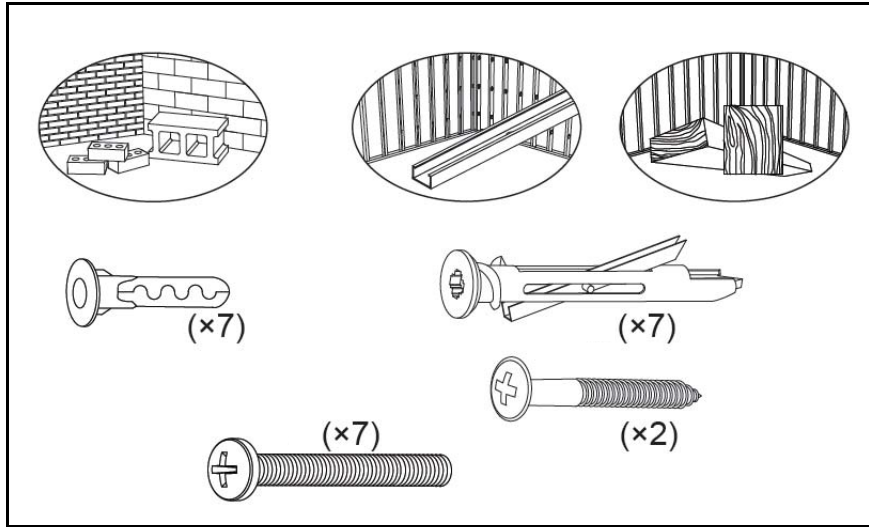
## SBM680V Parts



Item	Part No.	Qty	Description
1	1019835	1	Assembly, SMART Board, SBM680 board only (Box 1) <b>NOTE:</b> Includes items 2, 3 and 9.
2	FRU-CAM-SBM680-A	2	FRU, camera, SBM680, position 0 and 2
3	FRU-CAM-SBM680-B	2	FRU, camera, SBM680, position 1 and 3
4	93-00828-20	1	Cable, USB, A-B, 16' (5.0 m), SBX8
5	93-00592-20	1	Cable, power, North America, 6'6" (2.0 m)
5	93-00543-20	1	Cable, power, United Kingdom, 6'6" (2.0 m)
5	93-00576-20	1	Cable, power, Australia, 6'6" (2.0 m)
5	93-00542-20	1	Cable, power, Europe, 6'6" (2.0 m)
5	93-00806-20	1	Cable, power, China, 6'6" (2.0 m)
6	1009826	1	Bracket, wall mount, blue, SBX8/SBM6
7	RPEN-SBM6	1	Replacement Pens for SMART Board SBM600 Series - Set of Two
8	1020535	1	Assembly, SBM6 pen ledge / tray mounting hardware
9	FRU-DSP-SBM600	1	FRU, digital signal processor (controller), SBM600
10	1019506	1	Ledge, pen, SBM6
11	1013652	1	Power supply, 5V DC, 2A, universal switching
Not shown	1019554	2	Cap, corner, top left / bottom right, front
Not shown	1019552	2	Cap, corner, top left / bottom right, back

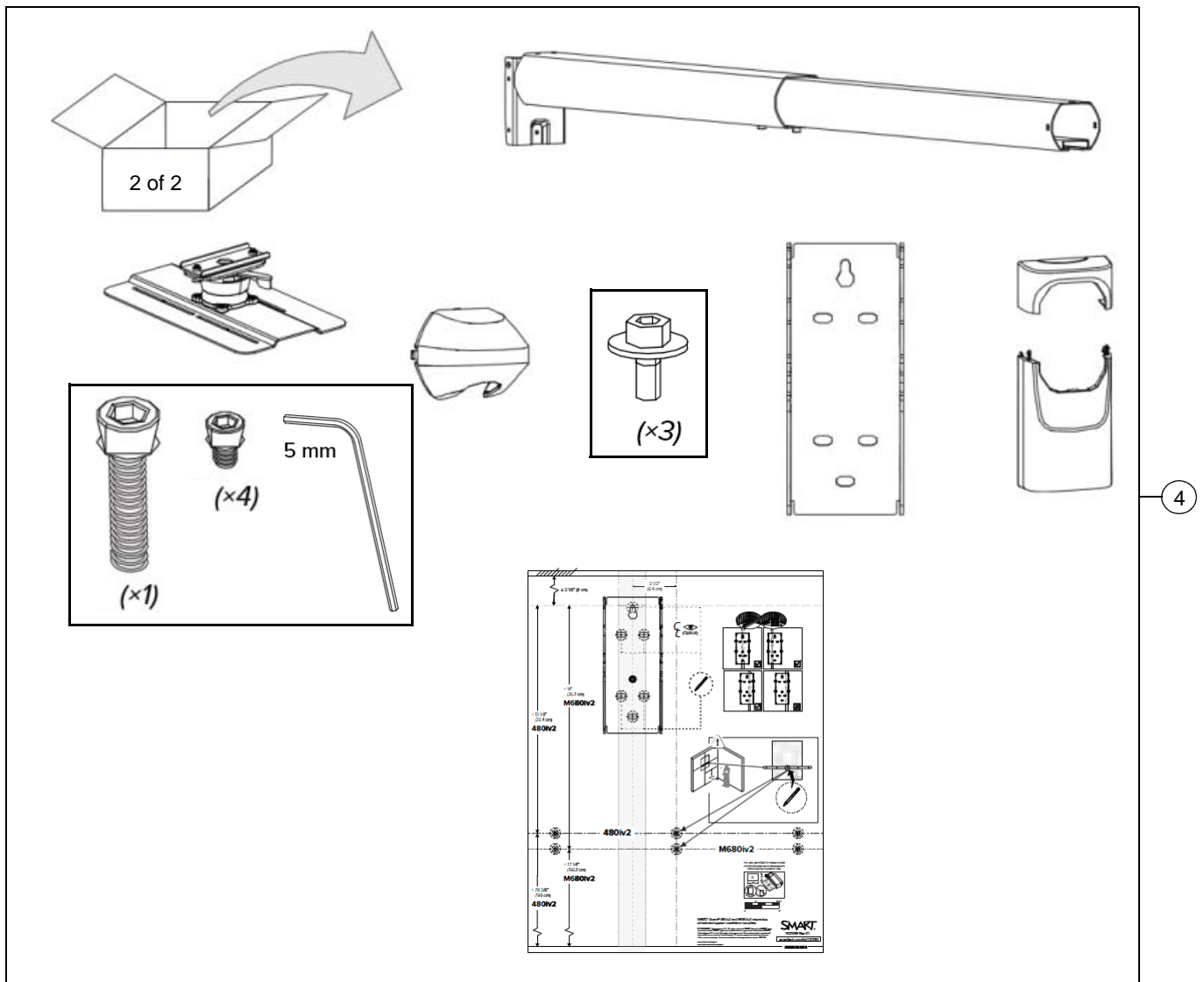
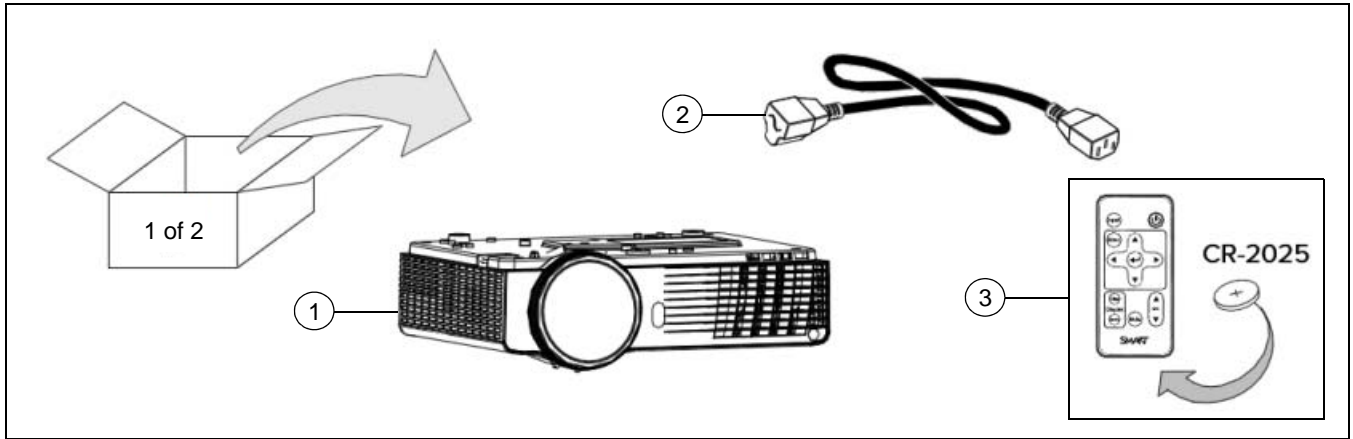
Not shown	1019555	2	Cap, corner, top right / bottom left, front
Not shown	1019553	2	Cap, corner, top right / bottom left, back

# Optional Board Mounting Hardware Kit (Part No. 1020342)





# V30 Parts



Item	Part No.	Qty	Description
1	FRU-V30-PJR	1	FRU, V30 projector only <b>NOTE:</b> Includes projector and item 3.
2	93-00630-20	1	Cable, power, North America, 14' 9" (4.5 m)
2	93-00632-20	1	Cable, power, United Kingdom, 14' 9" (4.5 m)
2	93-00631-20	1	Cable, power, Europe, 14' 9" (4.5 m)
2	93-00629-20	1	Cable, power, Australia, 14' 9" (4.5 m)
2	93-00634-20	1	Cable, power, Japan, 14' 9" (4.5 m)
2	93-00633-20	1	Cable, power, China, 14' 9" (4.5 m)
2	93-00670-20	1	Cable, power, Korea, 14' 9" (4.5 m)
2	1018969	1	Cable, power, Singapore, 14' 9" (4.5 m)
2	1018970	1	Cable, power, India, 14' 9" (4.5 m)
2	1018971	1	Cable, power, Saudi Arabia, 14' 9" (4.5 m)
2	1018972	1	Cable, power, Brazil, 14' 9" (4.5 m)
2	1025597	1	Cable, power, Argentina, 14' 9" (4.5 m)
2	1025598	1	Cable, power, South Africa, 14' 9" (4.5 m)
2	1025603	1	Cable, power, Chile and Italy, 14' 9" (4.5 m)
3	03-00131-20	1	Remote control <b>NOTE: Battery not included with replacement remotes.</b>
4	1025291	1	Assembly, Mounting System, V30 Projection System
Not shown	1025290	1	Replacement Lamp for V30 Projector

**Optional Projector Mounting Hardware Kit Assembly (Part No. 1013576)**

