

## Savant® Touch Control Screen Deployment Guide

Document Number: 009-1475-02  
Document Date: March 2020  
Document Supports: da Vinci 8.4 or higher

This document will guide the installer through the process of deploying, configuring, and adding Savant Touch Control Screen(s) to a RacePoint Blueprint™ configuration.

- Savant Touch 5.5 inch Control Screen [ITP-E5500x]
- Savant Touch 8 inch Control Screen [IPT-E8000x]

# Contents

To access links to the topics within this document, click the corresponding entry in the table below.




1. Deployment Steps .....	4	Appendix A: Network Requirements .....	14
2. Installation.....	5	Device Network Connections.....	14
2.1. Savant Touch 5.5/ITP-E5500x .....	5	Managing IP Addresses .....	14
Supported Orientations.....	5	Power over Ethernet (PoE).....	14
Mount the Bracket .....	5	Network Changes .....	14
Make Connections.....	6	Appendix B: Troubleshooting .....	15
Secure Screen to Bracket.....	6	System Information.....	15
2.2. Savant Touch 8.0/ITP-E8000x.....	7	Reboot.....	16
Supported Orientations.....	7	Factory Reset .....	16
Mount the Bracket .....	7	Appendix C: Proximity Sensor Disable/Enable.....	17
Make Connections.....	8	Appendix D: Adding a Touch Control Screen States to a Trigger .....	18
Secure Screen to Bracket.....	8		
3. Setup.....	9		
3.1. Cloud User .....	9		
3.2. Local User (Blueprint).....	9		
3.3. Connect to Savant System .....	10		
3.4. Updating Control Screen.....	11		
4. Control Screen Settings.....	12		
4.1. Wake Up Screen .....	12		
4.2. Brightness .....	13		
4.3. Sleep.....	13		
4.4. Change Orientation (ITP-E8000x only).....	13		

## Important Safety Information - Read First



Before installing, configuring, or operating any equipment, Savant recommends that each dealer, integrator, installer, etc. access and read all relevant technical documentation. Savant technical documentation can be located by visiting Savant.com. Vendor documentation is supplied with the equipment.

**Read and understand all safety instructions, cautions, and warnings in this document and the labels on the equipment.**


### Safety Classifications In this Document

<b>NOTE:</b>	Provides special information for installing, configuring, and operating the equipment.
 <b>IMPORTANT!</b>	Provides special information that is critical to installing, configuring, and operating the equipment.
 <b>CAUTION!</b>	Provides special information for avoiding situations that may cause damage to equipment.
 <b>WARNING!</b>	Provides special information for avoiding situations that may cause physical danger to the installer, end user, etc.

### Electric Shock Prevention

 <b>ELECTRIC SHOCK!</b>	The source power poses an electric shock hazard that has the potential to cause serious injury to installers and end users.
 <b>ELECTRICAL DISCONNECT:</b>	The source power outlet and power supply input power sockets should be easily accessible to disconnect power in the event of an electrical hazard or malfunction.

### Weight Injury Prevention

 <b>WEIGHT INJURY!</b>	Installing some Savant equipment requires two installers to ensure safe handling during installation. Failure to use two installers may result in injury.
---	---

## Safety Statements

All safety instructions below should be read, understood, and applied under all relevant circumstances when working with this equipment.

1. Read these instructions.
2. Keep these instructions.
3. Heed all warnings.
4. Follow all instructions.
5. Do not use this apparatus near water.
6. Clean only with dry cloth.
7. Do not block any ventilation openings. Install in accordance with the manufacturer's instructions.
8. Do not install near any heat sources such as radiators, heat registers, stoves, or other apparatus (including amplifiers) that produce heat.
9. Do not defeat the safety purpose of any polarized or grounding-type plug. A polarized plug has two blades with one wider than the other. A grounding type plug has two blades and a third grounding prong. The wide blade or the third prong is provided for your safety. If any provided plug does not fit into your outlet, consult an electrician for replacement of the obsolete outlet.
10. Protect any power cord from being walked on or pinched; particularly at plugs, convenience receptacles, and the point where they exit from the apparatus.
11. Use only attachments/accessories specified by the manufacturer, following all relevant safety precautions for any such attachments/accessories.
12. Disconnect any outlet powered apparatus from its power source during lightning storms or when unused for long periods of time.
13. Refer all servicing to qualified service personnel. Servicing is required when the apparatus has been damaged in any way, such as a damaged power supply cord or plug, liquid being spilled or objects having fallen into the apparatus, the apparatus being exposed to rain or moisture, apparatus having been dropped, or other failure to operate normally.
14. To completely disconnect equipment from AC mains power, disconnect the power supply cord plug from the AC receptacle.
15. For applicable equipment, use the included power cord with the grounding prong intact to insure proper grounding of the device.
16. For any hardwired or fixed in-wall apparatus, carefully follow all wiring diagrams and instructions. All electrical wiring and servicing should be performed by a properly licensed electrician.

# 1. Deployment Steps

To successfully deploy a Savant Touch Control Screen, follow the steps listed below. This page can be used as a checklist to track progress as items are completed.

- Review product specifications and connection details.....  
See the device's Quick Reference Guide on the [Savant Customer Community](#).
- Verify that the local Network meets Savant requirements.....  
See Appendix A: Network Requirements
- Install the In-Wall Control Screen.....  
See Installation
- Set Up In-Wall Control Screen.....  
See Setup

## Supported Release

Device	Minimum Supported Release
ITP-E5500x-00	da Vinci 8.4
ITP-E8000x-00	da Vinci 8.5
ITP-E5500x-20	da Vinci 8.10.1
ITP-E8000x-20	da Vinci 8.10.1
ITP-E5500x-30	da Vinci 9.2.2
ITP-E8000x-30	da Vinci 9.2.2

Feature	Minimum Supported Release
Cloud Users Support	da Vinci 9.2

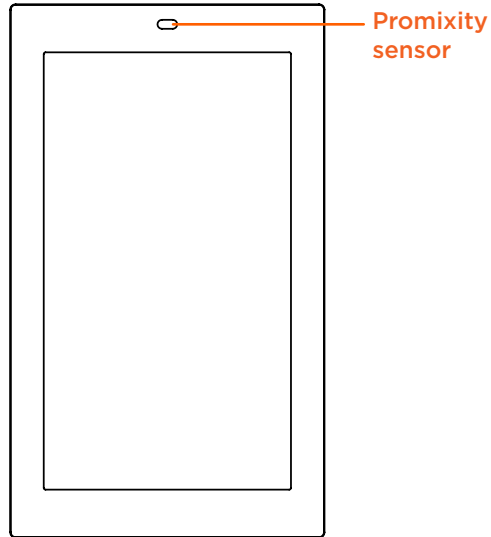
 **IMPORTANT INFO!** This document shows example images of Savant Touch Control Screen setup using da Vinci 9.2 runtime software. If using another version of da Vinci, images may not match exactly, however the process remains the same.

## 2. Installation

### 2.1. Savant Touch 5.5/ITP-E5500x

#### Supported Orientations

**Portrait** - 5.5" Control Screens must be mounted with the proximity sensor installed at the top as shown.

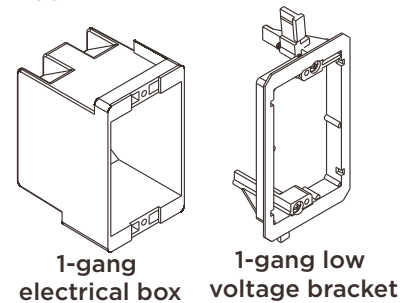


#### Mount the Bracket

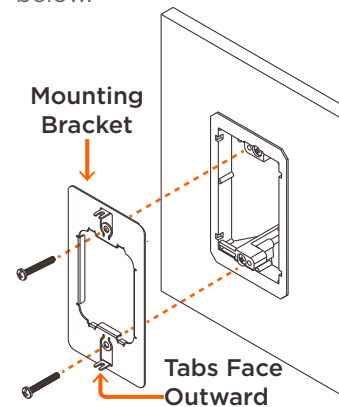
The Savant Touch 5.5 inch Control Screen is designed to be mounted using either a standard 1-gang electrical box or low voltage 1-gang bracket.

**⚠ IMPORTANT!** Box should be oriented using the portrait format (screw holes oriented at top and bottom).

1. Mount a 1-gang standard electrical box or low voltage bracket to an existing wall. Recommended height to center of box is between 57 and 65 inches (145 - 165 cm) above a finished floor.

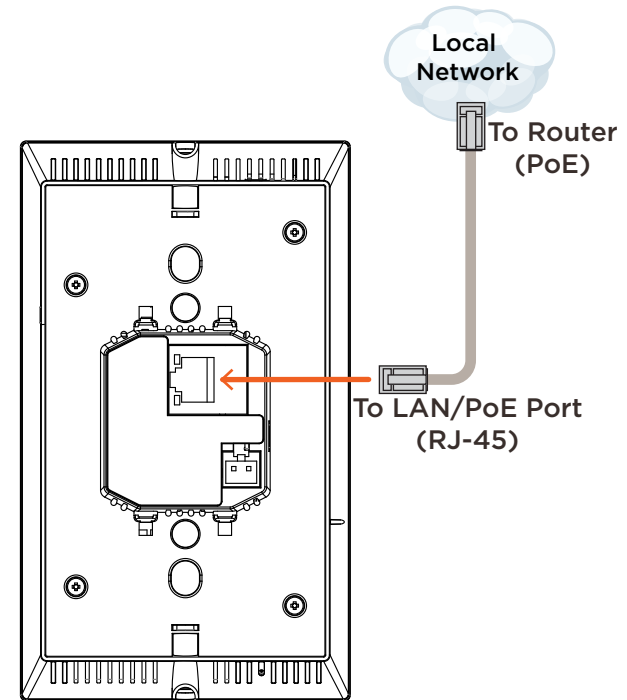


2. Secure the mounting bracket to the electrical box/bracket using the two 6-32 x 1 inch screws provided. Position the Control Screen mounting tabs facing outward. See image below.



## Make Connections

Connect a Cat 5e/6/7 Ethernet cable (T568A, T568B) to the RJ-45 LAN/PoE port on rear of Control Screen. See image below.

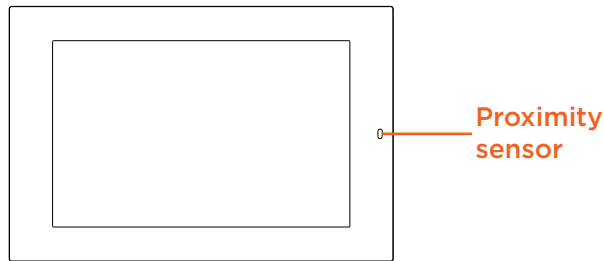


### IMPORTANT!

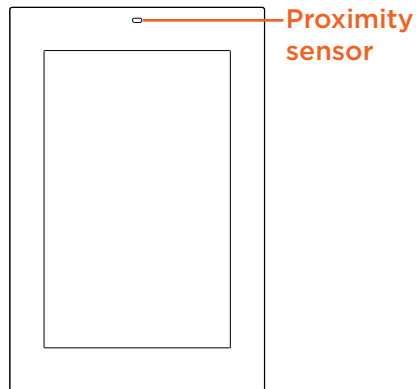
- The Control Screen is powered through the Ethernet cable. An 802.3af compliant PoE network router is required to power the display.
- If a PoE network router is not available, a PoE network injector can be used.

## 2.2. Savant Touch 8.0/ITP-E8000x Supported Orientations

**Landscape** - Control Screen should be mounted with proximity sensor positioned on the right side of the unit.



**Portrait** - Control Screen is mounted with proximity sensor positioned at the top of the unit.

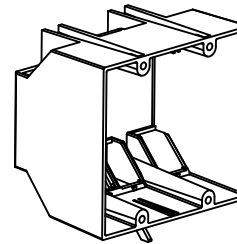


### Mount the Bracket

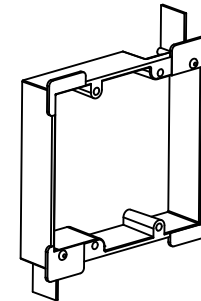
The Savant Touch 8 inch Control Screen is designed to be mounted using either a standard 2-gang electrical box or low voltage 2-gang bracket. If using the low voltage bracket use the included installation template to mark the hole in the wall.

1. Mount a 2-gang standard electrical box or low voltage bracket to an existing wall. Recommended height to center of box is between 57 and 65 inches (145 - 165 cm) above a finished floor.

2-Gang Electrical Box

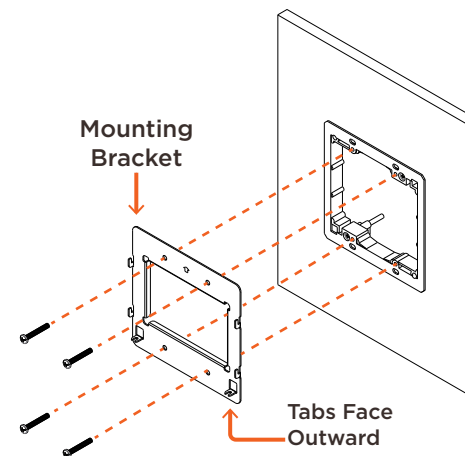


2-Gang Low Voltage Bracket



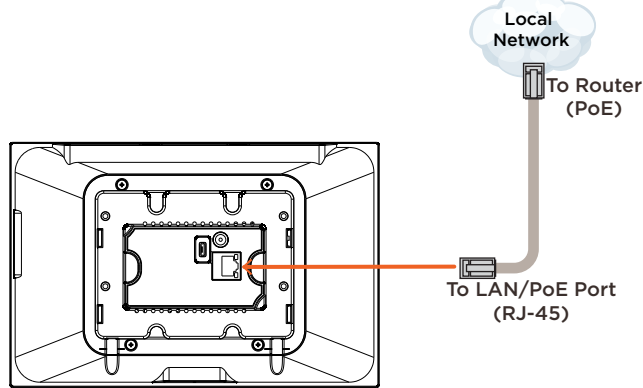
**NOTE:** If the Control screen is going to be installed Portrait the electrical box or bracket will need to be rotated 90°.

2. Secure the mounting bracket to the electrical box/bracket using the four 6-32 x 1 inch screws provided. Position the Control Screen mounting tabs facing outward. See image below.



## Make Connections

Connect a Cat 5e/6/7 Ethernet cable (T568A, T568B) to the RJ-45 LAN/PoE port on rear of Control Screen. See image below.



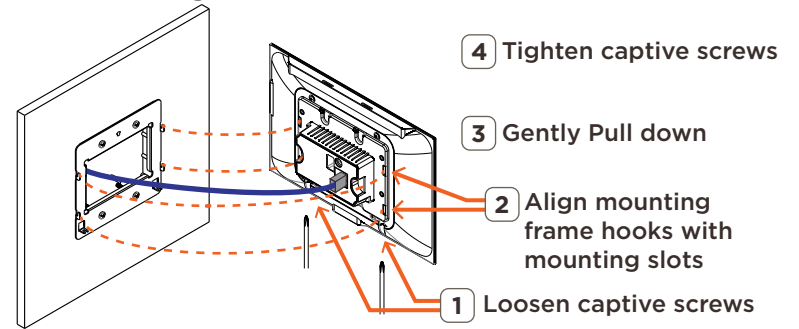
### IMPORTANT!

- The Control Screen is powered through the Ethernet cable. An 802.3af compliant PoE network switch is required to power the display.
- If a PoE network switch is not available, a PoE network injector can be used.

## Secure Screen to Bracket

Once cables are connected to rear of control screen, the Screen can be secured to the mounting bracket installed earlier.

1. Loosen the captive screws on the bottom of the Control Screen a few turns to allow the Screen to slide into the mounting bracket.
2. Align the mounting frame hooks with the mounting slots.
3. Gently pull down the unit to seat the mounting frame hooks.
4. Tighten the two captive screws to secure the Control Screen to the mounting bracket.





### 3. Setup

Before connecting the control screen to a Savant system, the Host must be updated to da Vinci 8.4 or higher. There is no Profile in Blueprint for this device. Service control will function similar to the Savant Pro App for Android.

#### 3.1. Cloud User

With da Vinci 9.2 and higher, cloud users can log in to Savant Touch control screens using the same Savant Cloud user account as the Pro App and Pro Remote.

**NOTE:** Newly deployed units may require a firmware update for this feature to be enabled. Ensure that the Savant Host has been updated to da Vinci 9.2 or higher and ITP devices are deployed, connected, and have a local user logged in for updates to install automatically.

#### 3.2. Local User (Blueprint)

The Touch Control Screen can use a local user that is programmed in Blueprint. Below are the steps to add a local user.

In a Blueprint Configuration do the following.

1. Open **Tools > Review > User Login Management**.
2. Select the **+** to add a user.
3. Name the user.



**TIP!** Savant recommends having a user named for the Control screen.

4. Create a local User for the Control screen.

User Name	Password	Start Zone
Touch Panel		Living Room

1 user selected

Available Zones

- Dining Room
- Girl's Bedroom
- Living Room
- Master Bedroom

Check All  
Uncheck All

Cancel Done

5. Select **Done**.

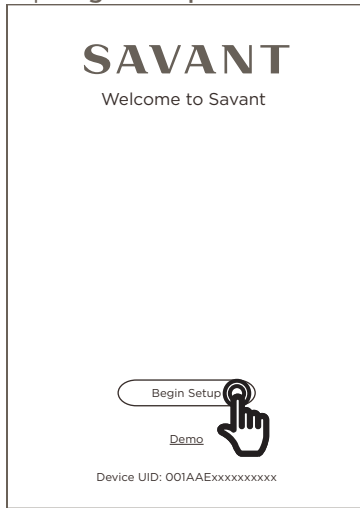
#### NOTES:

- If a Start Zone is selected, when the user signs in the Screen will load on the room selected as a Start Zone. If there is an active A/V service active in that zone the Control screen will wake to the active service's screen.
- If no Start Zone is selected, when the user signs in the Screen will load to the home screen and will wake to the last screen active.
- Setting a Wake Up Screen will override this feature. See the Wake Up Screen section for more information.

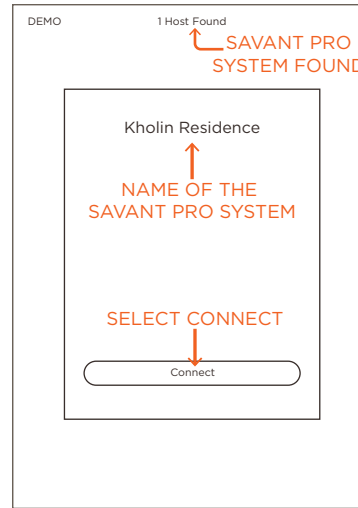
### 3.3. Connect to Savant System

Once connected to a PoE switch on the same network as the Savant Host. Follow the on-screen setup below:

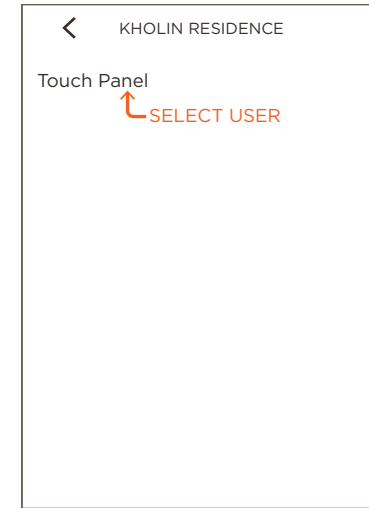
1. Tap **Begin Setup**.



2. Select Savant Host.



3. Select User.



4. Enter the password if needed.

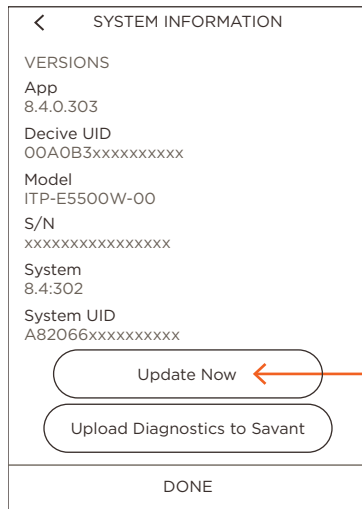
**NOTE:** The Savant Touch 8 (ITP-E8000x) has the ability to rotate the screen from its launch screen. The device is set in the portrait orientation by default. Tap the icon in the upper left corner to rotate the screen 90° clockwise and set the Screen's orientation.

### 3.4. Updating Control Screen

Savant recommends updating the Control screen after it is installed.

Once connected to a system, follow the steps below.

1. From the Home screen tap the icon or swipe down.
2. Tap the icon
3. Select **System Information**.
4. Tap Update Now



TAP  
UPDATE NOW

Control Screens will automatically receive Over-the-Air (OTA) software updates from the Savant Host when a new version is available on the Savant Cloud, with no user action required.

NOTES:

- If the "Update Now" button is not pressed, it will automatically update at 2:00am.
- If the "Update Now" button does not appear within the five minutes of connecting to the system, power cycle the Control screen.
- Update status can be viewed in System Monitor under Mobile Device Status.

## 4. Control Screen Settings

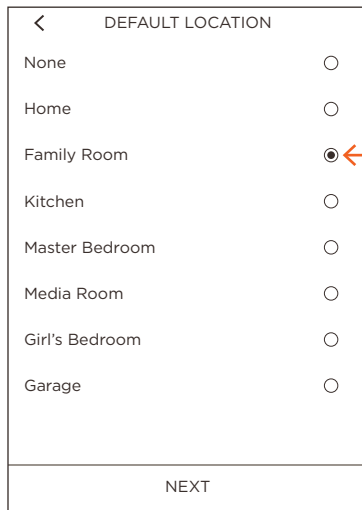
Description of the settings of the Control screen and how they are used. Swipe right or tap Settings [bold] at the upper left corner of the Home screen to open the control screen's Settings menu. Refer to the subsections below for details on each option's function. For further information, refer to the Savant Pro App User Guide (009-1838-xx), available on the Savant Community.

### 4.1. Wake Up Screen

Setting a Default Location and Wake Screen can make the main use of the installed Control screen be used faster.

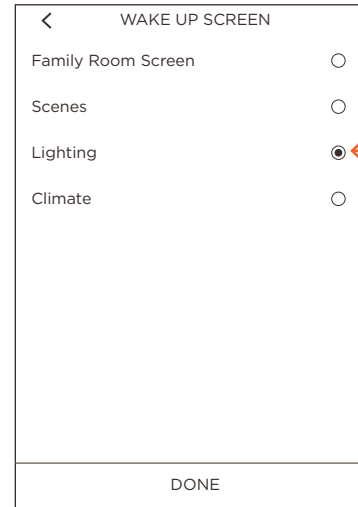
This example might be used at the doorway of a Family Room where its first use on entering the room will be a light switch.

1. From the Home Screen tap Settings.
2. Tap **Touch Panel Settings**.
3. Select **Wake Up Screen** in the list on the Setting screen.
4. Select a Default Location.



5. Tap NEXT.

6. Select Wake Up Screen.



7. Tap DONE.

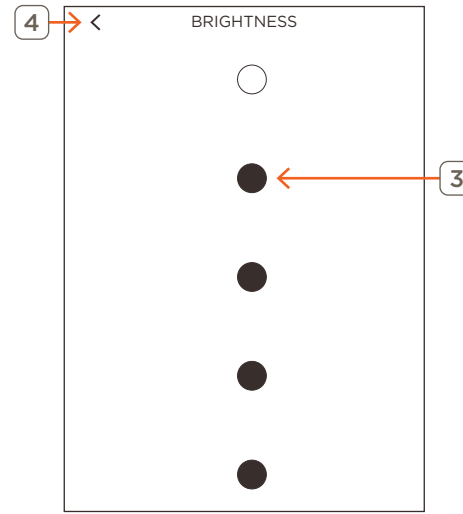
#### Supported Wake Screens

- Home Screen
- Room Screen
- Scenes
- Lighting
- Climate
- Shades
- Security Cameras
- Now Playing:  
Wakes the Screen at the active service in the room selected. If no A/V service is active it will wake at the Room Screen for the room selected

## 4.2. Brightness

Set the Brightness of the screen.

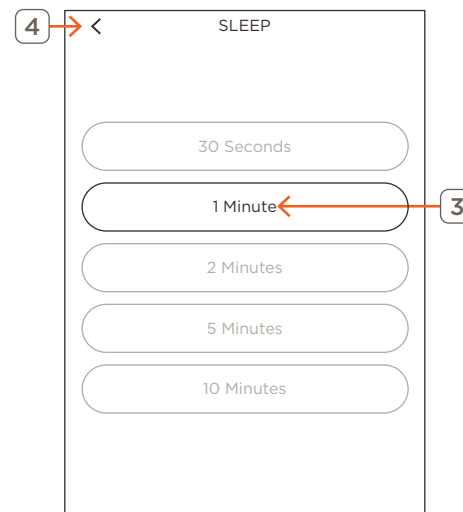
1. From the Home Screen tap Settings.
2. Tap **Touch Panel Settings**.
3. Select **Brightness** in the list on the Setting screen.
4. Tap Back.



## 4.3. Sleep

Sets the amount of time before the screen on the Control screen will go to sleep.

1. From the Home Screen tap Settings.
2. Tap **Touch Panel Settings**.
3. Select **Sleep** in the list on the Setting screen.
4. Tap Back.



## 4.4. Change Orientation (ITP-E8000x only)

Rotates the Orientation 90° clockwise.

1. From the Home Screen tap Settings.
2. Tap **Touch Panel Settings**.
3. Select Change Orientation.

## Appendix A: Network Requirements

Savant requires the use of business class/commercial grade network equipment throughout the network to ensure the reliability of communication between devices. These higher quality components also allow for more accurate troubleshooting when needed.

### Device Network Connections

Connect all Savant devices to the same local area network (LAN) or subnet as the host. Savant recommends not implementing any type of traffic or packet shaping in your network topology for the Savant devices as this may interfere with performance.

### Managing IP Addresses

To ensure that the IP Address will not change due to a power outage, DHCP reservation should be configured.

#### Setting DHCP Reservation

Setting DHCP reservation varies from router to router. Refer to the documentation for the router to configure DHCP reservation.

### Power over Ethernet (PoE)

The Savant In-Wall Control screen requires a PoE network switch that is IEEE 802.3af compliant. Or a PoE network injector can be used.

### Network Changes

Savant recommends performing the following steps to refresh the IP connection after connecting to a new network, changing routers, or if the IP Address range is changed in the current router. This will reset any IP connection and ensure that the host is communicating with the network correctly.

- Reboot the device from the Settings Screen.  
From the Home Screen tap Settings > Tap Touch Panel Settings > Tap Reboot.
- Using a paper clip or similar, press and release the Reset button on the side of the control screen. Allow the display to reset and obtain a new IP Address.

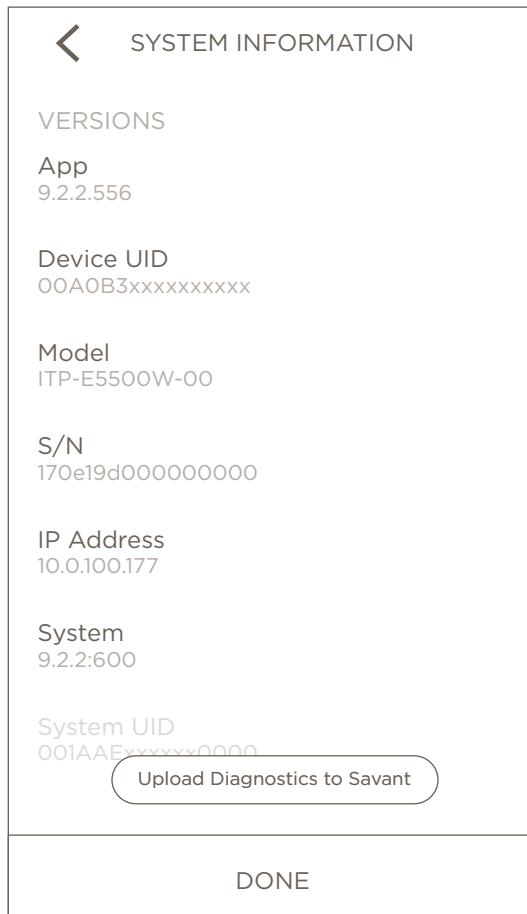
## Appendix B: Troubleshooting

This appendix gives basic troubleshooting steps and shows where to gather the basic information that Savant Support may require in troubleshooting.

### System Information

This screen is used to gather information that can be helpful in troubleshooting. To get to the System information screen do the following.

1. From the Home Screen tap Settings.
2. Tap System Information.



App	Version of the installed Control screen application.
Device UID	Unique Identifier of the device. Reserved for future use.
Model	Model number for the Control screen is displayed.
S/N	Serial number of the Control screen is displayed.
IP Address	Displays the devices IP address.
System	Version of da Vinci software installed on the System Host.
System UID	Savant Unique Identifier of the System Host.
Upload Diagnostics to Savant	When troubleshooting a problem, the Savant Support Team may require the embedded logs from the Control screen. Pressing this button will upload the log files to the Savant Pro System Host. Full communications between the Control screen and Host is required. With the log files loaded in the Host, the Savant Support Team can view the files and take any necessary actions required.

## Reboot

Used to reboot the device. Most common use of this is to reset the device after network changes.

1. From the Home Screen tap Settings.
2. Tap Touch Panel Settings.
3. Tap Reboot.



## Factory Reset

This will remove all user and system information from the Control screen.

1. From the Home Screen tap Settings.
2. Tap Touch Panel Settings.
3. Tap Reset.



Once the reboot is complete, the Screen will load to the Welcome screen.

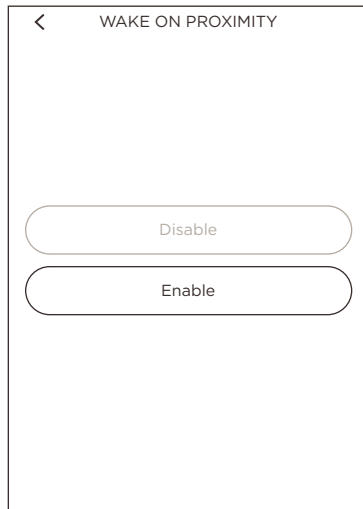
**NOTE:** If a software update has been downloaded but not installed it will be removed in this process.



## Appendix C: Proximity Sensor Disable/Enable

To Enable or Disable the Proximity Sensor do the following:

1. From the Home Screen tap Settings.
2. Tap Touch Panel Settings.
3. Tap Wake on Proximity.
4. Select Disable/Enable.

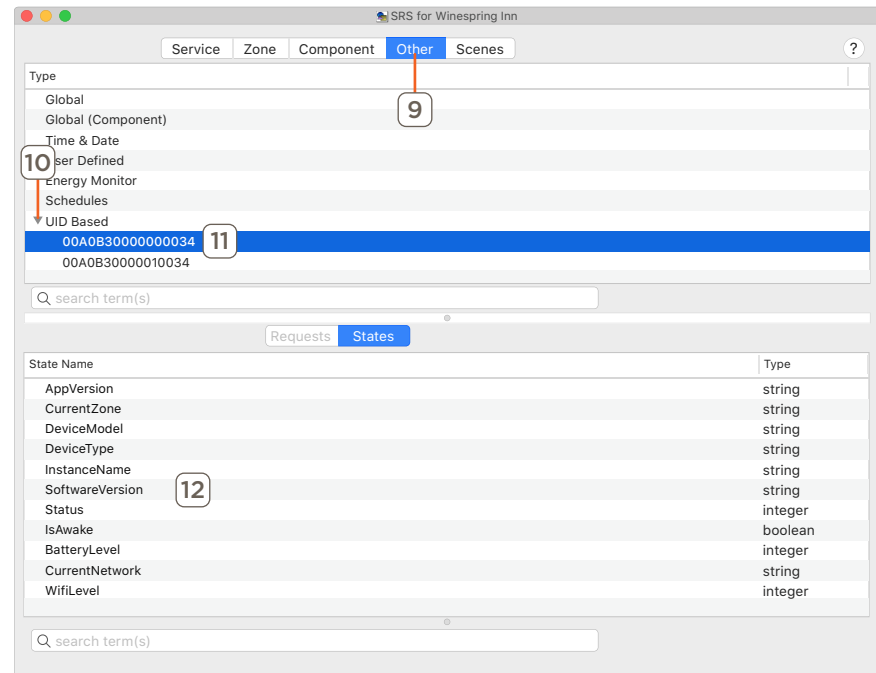
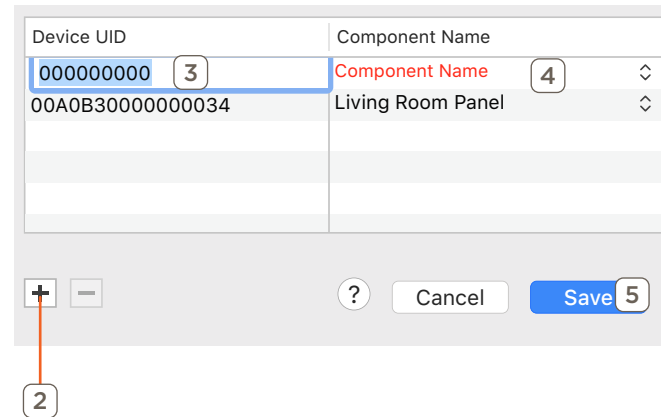


## Appendix D: Adding a Touch Control Screen States to a Trigger

The Touch Control Screens are placed in Blueprint the programmer must add the UID for the Control screen into Blueprint to be able have the states available in the Trigger engine.

From an open Blueprint Configuration follow the steps below:

1. Go to **Tools > Review > Device UIDs....**
2. Click the + Button.
3. Enter the Control screens UID.  
This can be found on the devices System Information screen.
4. Enter a device name.
5. Click Save.
6. Open Triggers window.  
Go to **Tools > Review > State Triggers.**
7. Select/Create a Trigger to program.
8. Open the SRS window.
9. Select Other.
10. Expand UID Based section,  
if necessary by clicking the disclosure triangle.
11. Select the Control screen desired.
12. Select and drag desired state into the trigger.



# Important Notice

## Disclaimer

Savant Systems, LLC. reserves the right to change product specifications without notice, therefore, the information presented herein shall not be construed as a commitment or warranty.

Savant Systems, LLC. shall not be liable for any technical or editorial errors or omissions contained herein or for incidental or consequential damages resulting from the performance, furnishing, reliance on, or use of this material.

## Patents

Certain equipment and software described in this document is protected by issued and pending U.S. and foreign patents.

All products and services are trademarks or registered trademarks of their respective manufacturer.

## Copyright

This document contains confidential and proprietary information protected by copyright. All rights reserved. Copying or other reproduction of all or parts of this document is prohibited without the permission of Savant Systems.

## Trademarks

© 2020 Savant Systems, LLC. All rights reserved. Savant, Savant App, Truelmage, Savant Host, Now You Can, RacePoint Blueprint, Single App Home, TrueCommand, TrueControl, and the Savant logo are trademarks of Savant Systems, LLC.

AirPlay, Apple, AirPort Express, AirPort Extreme, Apple TV, Apple Remote Desktop, FireWire, iMac, iTunes, iPad, iPad mini, iPad Air, iPhone, MacBook, Mac and OS X are trademarks or trade names of Apple Inc. iOS is a trademark of Cisco®. Android, Google, Google Play, and other Google marks are trademarks of Google, Inc. Wi-Fi is a registered trademark of the Wi-Fi Alliance®. HDMI® is a trademark of HDMI Licensing, LLC. MOTU® is a registered trademark of Mark of the Unicorn, Inc. Luxul is a registered trademark of Luxul Wireless. NETGEAR®, the NETGEAR Logo and ProSAFE are trademarks of NETGEAR, Inc. Extreme™ is a trademark of Extreme Networks, Inc.

All other brand names, product names, and trademarks are the property of their respective owners.

## Technical and Sales Support

Savant Systems, LLC is dedicated to providing prompt and effective support in a timely and efficient manner.

- To contact Savant Support, access the **Savant Customer Community** and enter a support Case ticket.
- To contact Savant Sales, visit Savant.com and select Contact Us to locate a local sales representative in your area.