

SAVANT

IP Audio Micro Aperture-4: Speaker Set/Add-on Pair Quick Reference Guide

Products

- IP Audio Micro Aperture 4: Speaker set (round)
- IP Audio Micro Aperture 4: Speaker set (square)
- IP Audio Micro Aperture 4: Add-on Pair (round)
- IP Audio Micro Aperture 4: Add-on Pair (square)

Box Contents (EDG-4-AVB-x)

- (1) IP Audio PoE Speaker with internal amplifiers
- (1) IP Audio Satellite Speaker
- (2) 4" Ceiling Mount (093-3105-00)
- (1) Cutout Template (009-1769-00 or 009-1700-00)
- (1) Product Regulatory Insert (009-1745-00)

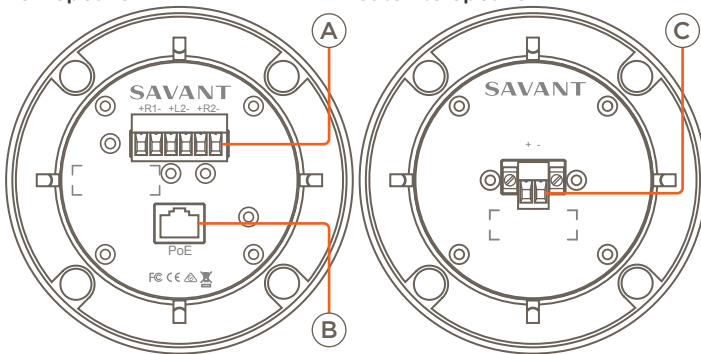
Box Contents (EDG-4-SAT-x)

- (2) IP Audio Satellite Speaker
- (2) 4" Ceiling Mount (093-3105-00)
- (1) Cutout Template (009-1769-00 or 009-1770-00)
- (1) Product Regulatory Insert (009-1745-00)

Top Panel




PoE Speaker

Satellite Speaker



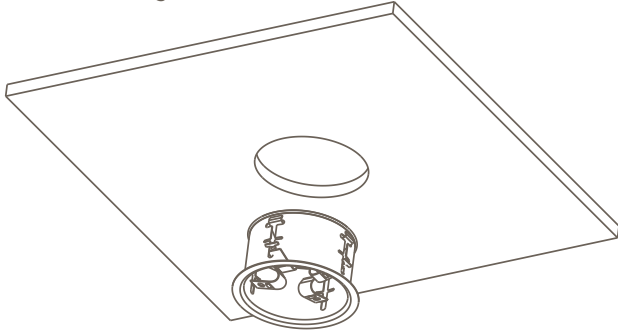
- A** Speaker Output (3) Speaker Outputs
- B** PoE 8-pin RJ-45 port 10/100/1000 Base-T auto-negotiating port Supports Audio Video Bridging (AVB)
- C** Audio Input Audio input from a PoE speaker

Specifications

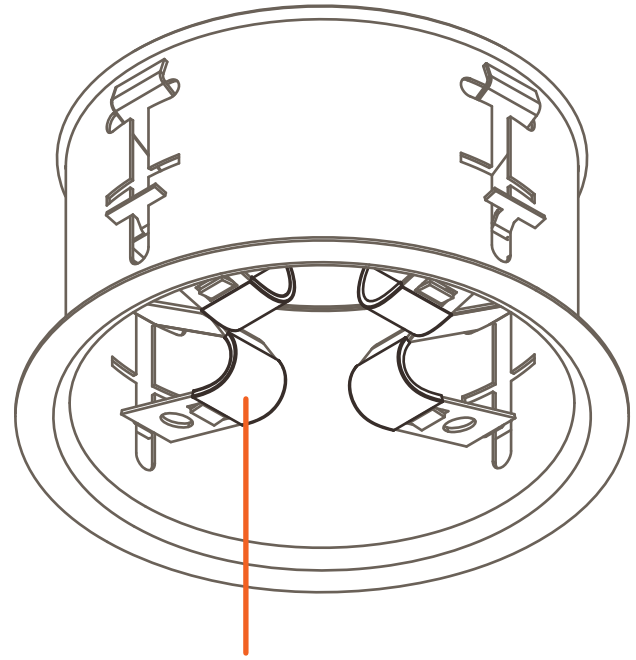
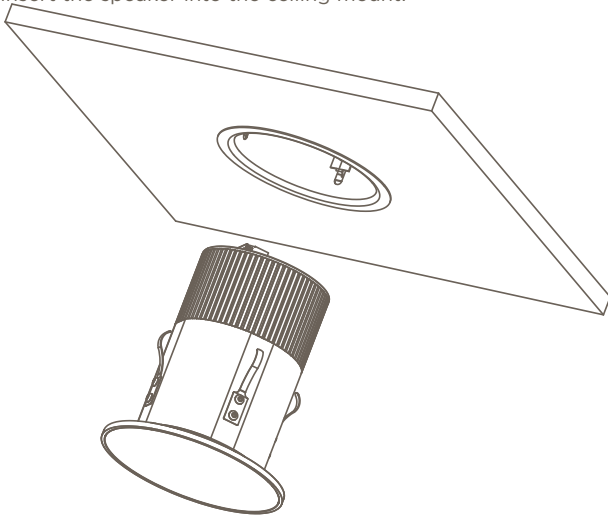
Environmental	
Temperature	32° to 140° F (0° to 60° C)
Humidity	10% to 90% Relative Humidity (non-condensing)
Dimensions and Weight	
Height	4.65 in (11.80 cm)
Width	4.65 in (11.80 cm)
Depth	5.73 in (14.57 cm)
Weight	Shipping: 5.35 lb (2.42 kg)
Power	
PoE Type	802.3af Type 1 802.at Type 2 802.3bt Type 3 802.3bt Type 4
Maximum Power Draw	12.95 W (Type 1) 25.5 W (Type 2) 51 W (Type 3) 71 W (Type 4)
Networking	
Supported Standard	IEEE 802.1 AVB/TSN switches IEEE 802.3af, 802.3at, 802.3bt (PoE)
Operating Parameters	
Frequency Response	Acoustic: 80 Hz - 20 kHz +/- 3 dB Amplifier: 20 Hz - 20 kHz +/- 1 dB
Sensitivity	89 dB SPL (2.83V/1 meter)
Regulatory	
Safety and Emissions	FCC Part 15B  CE Mark  C-Tick 
RoHS	Compliant
Minimum Support Requirements	
Software Release	da Vinci 8.10

Installation

1. Use the cutout template to cut a hole in the ceiling.
2. Insert the Ceiling Mount in the hole.



3. Push springs into place.
4. Connect the speaker connection.
5. Insert the speaker into the ceiling mount.



If the ceiling is 5/8" thick or greater remove the rubber friction bands from the springs.

Additionally either the Pre-construction Bracket or the Flush Mount Kit can be used.

- MRS-4-PCB
- MRS-4-FMK