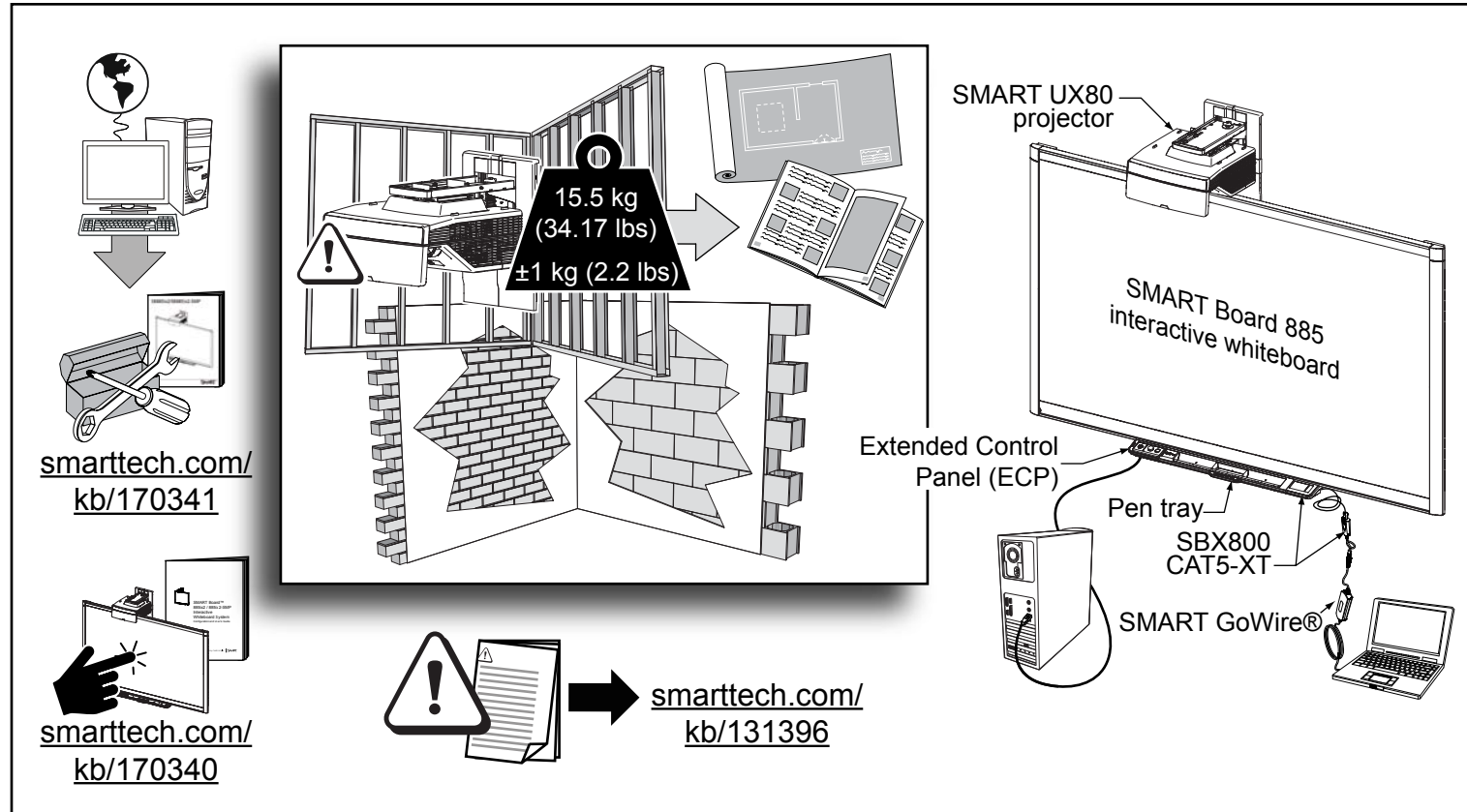
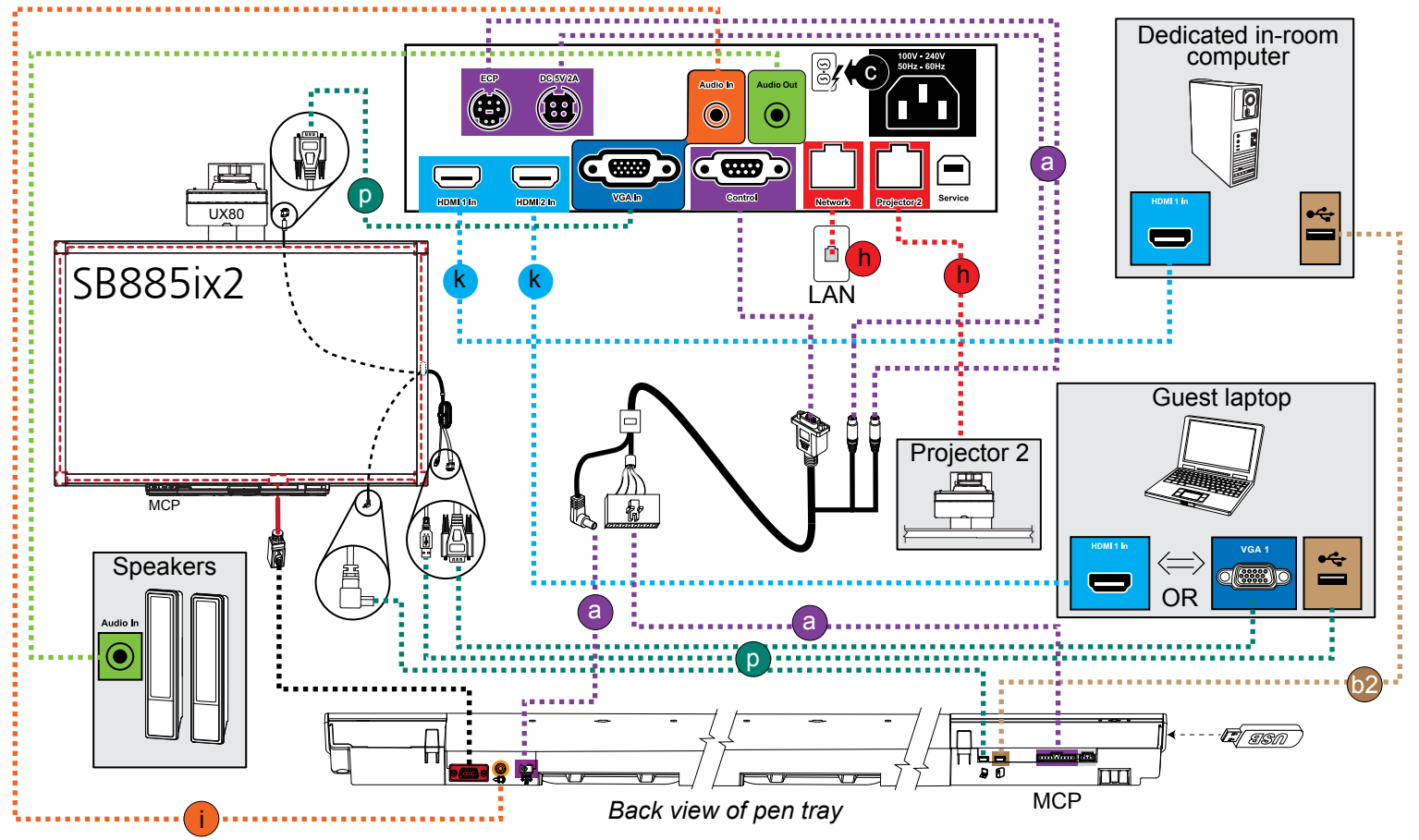


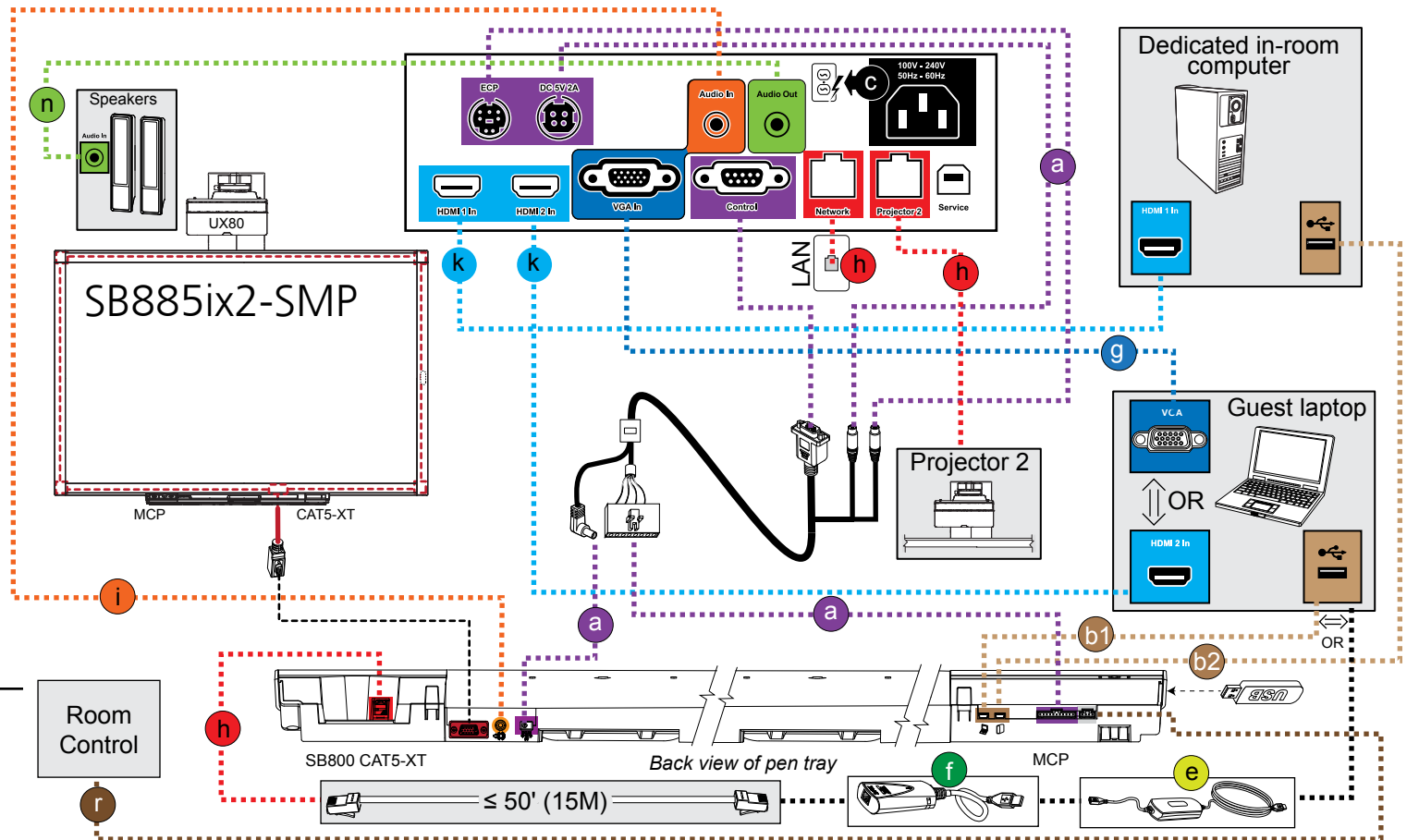
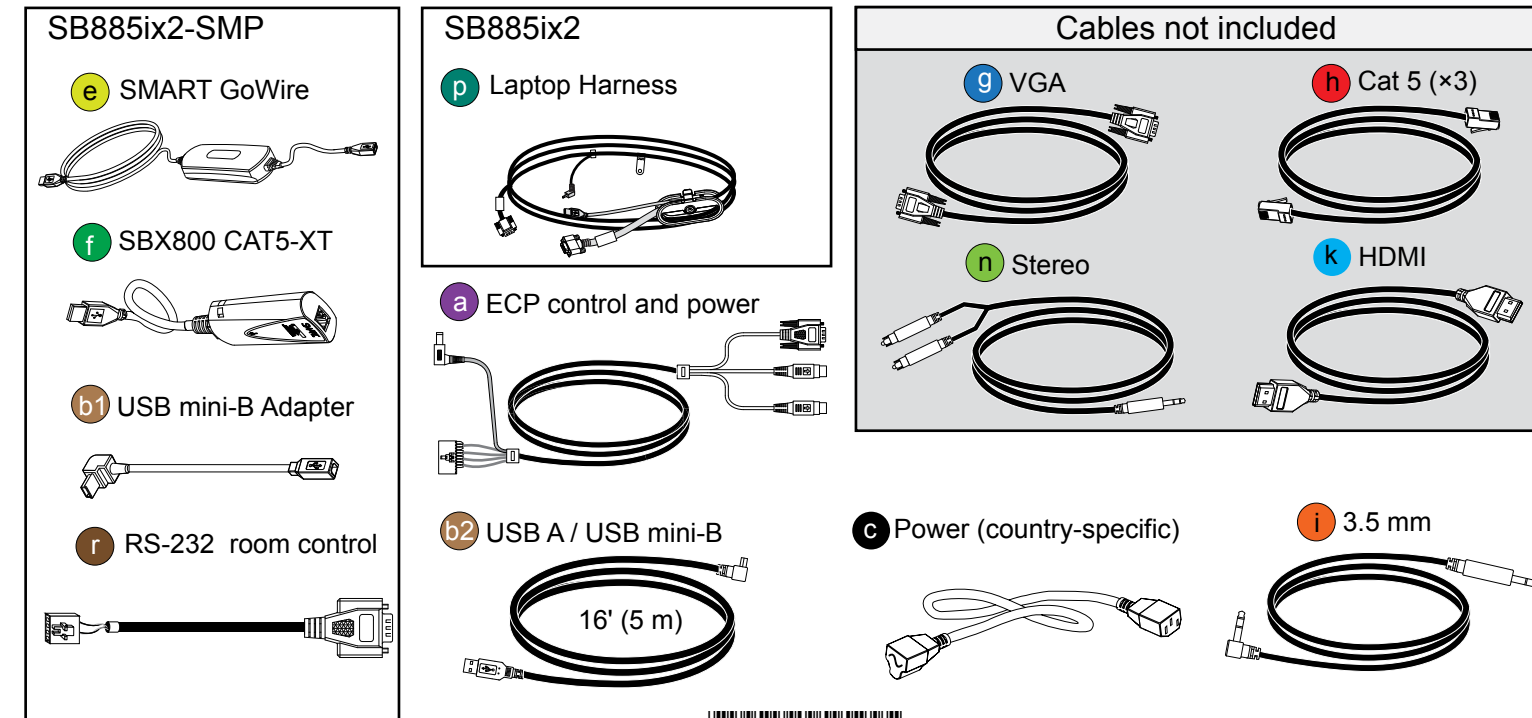
# SMART Board® 885ix2/885ix2-SMP interactive whiteboard system cabling guide



## Standard cable connections



## Cables included in your SMART Board 885ix2 interactive whiteboard system



smarttech.com/support  
smarttech.com/contactsupport

© 2012-2013 SMART Technologies ULC. All rights reserved. SMART Board, SMART GoWire, smarttech, the SMART logo and all SMART taglines are trademarks or registered trademarks of SMART Technologies ULC in the U.S. and/or other countries. All other third-party product and company names may be trademarks of their respective owners. Contents are subject to change without notice. This product and/or use thereof covered by one or more of the following U.S. patents: smarttech.com/patents. 02/2013.



1019448 Rev 02

**1**

smarttech.com/  
kb/170341

$A \geq 50'' (127 \text{ cm})$   
 $B \geq 78'' (198.1 \text{ cm})$

**2**

**3**

15.5 kg  
(34.17 lbs)  
±1 kg (2.2 lbs)

1/4" (6 mm)

**7**

**8**

**9**

**4**

A

B

C

**5**

Installation quick reference

A

B

C

**6**

A

B

C

4x

**10**

A

B

C

**11**

A

B

C

**12**

SB885i2-SMP

SB885i2

**13**

ECP

**14**

**15**

a

m

b2

**16**

b2

g

m

i

a

b1

b2

a

r

Cat 5

SB885i2-SMP

OR