

VX1000

All-in-One Controller



Specifications

Change History

Document Version	Release Date	Description
V1.4.1	2023-08-08	Updated the dimension picture.
V1.4.0	2023-05-06	Updated the rear panel picture.
V1.3.1	2022-10-24	Optimized the descriptions of the DVI and HDMI connectors. Added descriptions for optical module selection.
V1.3.0	2022-07-30	Updated the rear panel picture.
V1.2.0	2022-02-18	<ul style="list-style-type: none"> Updated the certifications. Added the Notes and Cautions section.
V1.1.0	2021-09-16	Updated the packaging descriptions.
V1.0.0	2021-05-30	First release

Introduction

The VX1000 is NovaStar's new all-in-one controller that integrates video processing and video control into one box. It features 10 Ethernet ports and supports video controller, fiber converter and Bypass working modes. A VX1000 unit can drive up to 6.5 million pixels, with the maximum output width and height up to 10,240 pixels and 8192 pixels, respectively, which is ideal for ultra-wide and ultra-high LED screen applications.

The VX1000 is capable of receiving a variety of video signals and processing high-resolution 4Kx1K@60Hz images. In addition, the device features stepless output scaling, low latency, 3D, pixel-level brightness and chroma calibration and more, to present you with an excellent image display experience.

What's more, the VX1000 can work with NovaStar's supreme software NovaLCT and V-Can to greatly facilitate your in-field operations and control, such as screen configuration, Ethernet port backup settings, layer management, preset management and firmware update.

Thanks to its powerful video processing and sending capabilities and other outstanding features, the VX1000 can be widely used in applications such as medium and high-end rental, stage control systems and fine-pitch LED screens.

Certifications

CE, UL&CUL, IC, FCC, EAC, UKCA, KC, RCM, CB, RoHS

If the product does not have the relevant certifications required by the countries or regions where it is to be sold, please contact NovaStar to confirm or address the problem. Otherwise, the customer shall be responsible for the legal risks caused or NovaStar has the right to claim compensation.

Features

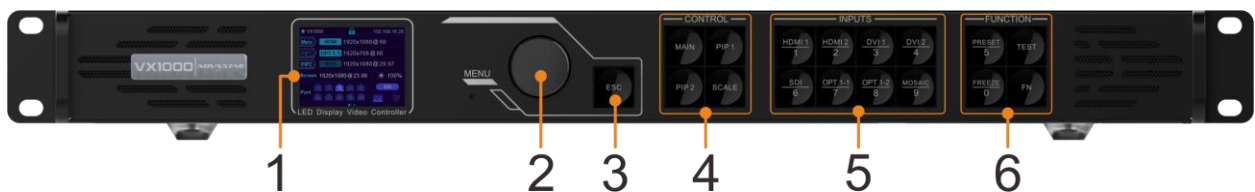
- Input connectors
 - 1x HDMI 1.4 (IN & LOOP)
 - 1x HDMI 1.4
 - 1x DVI (IN & LOOP)
 - 1x DVI
 - 1x 3G-SDI (IN & LOOP)
 - 1x 10G optical fiber port (OPT1)
 - Output connectors
 - 10x Gigabit Ethernet ports
- A single device unit drives up to 6.5 million pixels, with a maximum width of 10,240 pixels and a maximum height of 8192 pixels.
- 2x Fiber outputs
 - OPT 1 copies the output on 10 Ethernet ports.
 - OPT 2 copies or backs up the output on 10 Ethernet ports.
 - 1x HDMI 1.3
 - For monitoring or video output

- Self-adaptive OPT 1 for either video input or sending card output
Thanks to the self-adaptive design, OPT 1 can be used as either an input or output connector, depending on its connected device.
- Audio input and output
 - Audio input accompanied with HDMI input source
 - Audio output via a multifunction card
 - Output volume adjustment supported
- Low latency
Reduce the delay from the input to receiving card to 20 lines when the low latency function and Bypass mode are both enabled.
- 3x layers
 - Adjustable layer size and position
 - Adjustable layer priority
- Output synchronization
An internal input source or external Genlock can be used as the sync source to ensure the output images of all cascaded units in sync.
- Powerful video processing
 - Based on SuperView III image quality processing technologies to provide stepless output scaling.
 - One-click full screen display
 - Free input cropping
- Easy preset saving and loading
 - Up to 10 user-defined presets supported
 - Load a preset by simply pressing one button

- Multiple kinds of hot backup
 - Backup between devices
 - Backup between Ethernet ports
 - Backup between input sources
- Mosaic input source supported
The mosaic source is composed of several input connectors of the same type.
- Up to 4 units cascaded for image mosaic
- Three working modes
 - Video Controller
 - Fiber Converter
 - Bypass
- All-round color adjustment
Input source and LED screen color adjustment supported, including brightness, contrast, saturation, hue and Gamma
- 3D function
Work with the EMT200 3D emitter and matched 3D glasses to present a 3D visual experience.
- Pixel level brightness and chroma calibration
Work with NovaLCT and NovaStar calibration software to support brightness and chroma calibration on each LED, which can effectively remove color discrepancies and greatly improve LED display brightness and chroma consistency, allowing for better image quality.
- Multiple operation modes
Control the device as you wish via V-Can, NovaLCT or device front panel knob and buttons.

Appearance

Front Panel



No.	Area	Function
1	LCD screen	Display the device status, menus, submenus and messages.
2	Knob	<ul style="list-style-type: none"> ● Rotate the knob to select a menu item or adjust the parameter value. ● Press the knob to confirm the setting or operation.
3	ESC button	Exit the current menu or cancel an operation.
4	Control area	<ul style="list-style-type: none"> ● Open or close a layer (main layer and PIP layers), and show the layer status. Status LEDs:

No.	Area	Function
		<ul style="list-style-type: none"> - On (blue): The layer is opened. - Flashing (blue): The layer is being edited. - On (white): The layer is closed. <ul style="list-style-type: none"> • SCALE: A shortcut button for the full screen function. Press the button to make the layer of the lowest priority fill the entire screen. <p>Status LEDs:</p> <ul style="list-style-type: none"> - On (blue): Full screen scaling is turned on. - On (white): Full screen scaling is turned off.
5	Input source buttons	<p>Show the input source status and switch the layer input source.</p> <p>Status LEDs:</p> <ul style="list-style-type: none"> • On (blue): An input source is accessed. • Flashing (blue): The input source is not accessed but used by the layer. • On (white): The input source is not accessed or the input source is abnormal. <p>Notes:</p> <ul style="list-style-type: none"> • When a 4K video source is connected to OPT 1, OPT 1-1 has a signal but OPT 1-2 does not have a signal. • When two 2K video sources are connected to OPT 1, OPT 1-1 and OPT 1-2 both have a 2K signal.
6	Shortcut function buttons	<ul style="list-style-type: none"> • PRESET: Access the preset settings menu. • TEST: Access the test pattern menu. • Freeze: Freeze the output image. • FN: A customizable button

Note:

Hold down the knob and **ESC** button simultaneously for 3s or longer to lock or unlock the front panel buttons.

Rear Panel



Input Connectors		
Connector	Qty	Description
3G-SDI	1	<ul style="list-style-type: none"> • ST-424 (3G), ST-292 (HD) and ST-259 (SD) standard video inputs supported • Max. input resolution: 1920x1080@60Hz • Deinterlacing processing supported • 3G-SDI loop output supported • DOES NOT support input resolution and bit depth settings.
HDMI 1.4	2	<ul style="list-style-type: none"> • Max. input resolution: 3840x1080@60Hz or 3840x2160@30Hz • HDCP 1.4 compliant • Mosaic of two HDMI 1.4 inputs supported • Custom resolutions supported <ul style="list-style-type: none"> - Max. width: 4092 pixels (4092x1136@60Hz) - Max. height: 3981 pixels (1060x3981@60Hz)

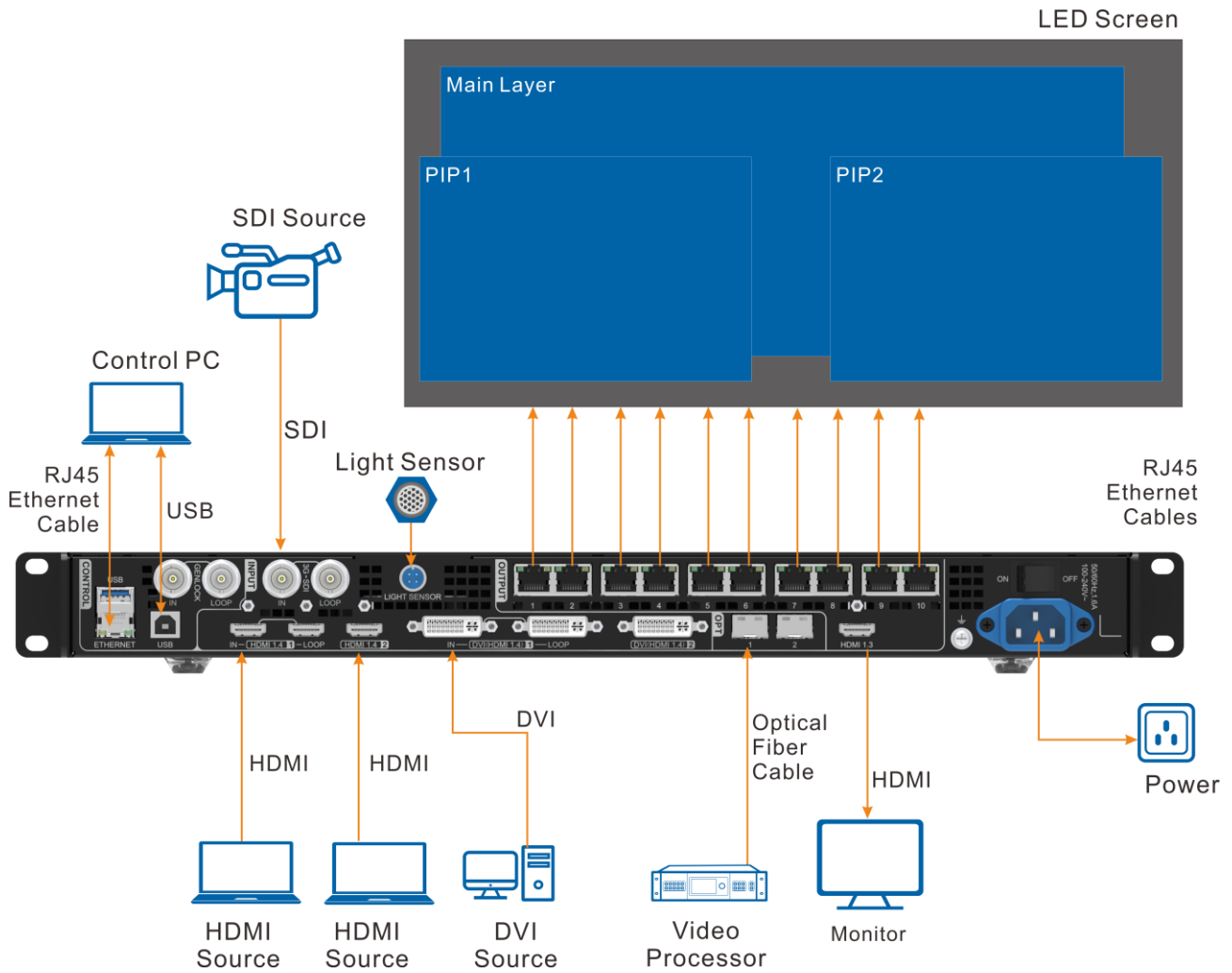
		<ul style="list-style-type: none"> • Loop output supported on HDMI 1.4 1 • DOES NOT support interlaced signal inputs 		
DVI (HDMI 1.4)	2	<ul style="list-style-type: none"> • Max. input resolution: 3840x1080@60Hz or 3840x2160@30Hz • HDCP 1.4 compliant • Custom resolutions supported <ul style="list-style-type: none"> – Max. width: 4092 pixels (4092x1136@60Hz) – Max. height: 3981 pixels (1060x3981@60Hz) • Mosaic of two DVI inputs supported • Loop output supported on DVI 1 • DOES NOT support interlaced signal inputs 		
Output Connectors				
Connector	Qty	Description		
Ethernet ports	10	<p>Gigabit Ethernet ports</p> <ul style="list-style-type: none"> • Max. loading capacity: 6.5 million pixels • Max. width: 10,240 pixels • Max. height: 8192 pixels <p>Ethernet ports 1 and 2 support audio output. When you use a multifunction card to parse the audio, be sure to connect the card to Ethernet port 1 or 2.</p> <p>Status LEDs:</p> <ul style="list-style-type: none"> • The top left one indicates the connection status. <ul style="list-style-type: none"> – On: The port is well connected. – Flashing: The port is not well connected, such as loose connection. – Off: The port is not connected. • The top right one indicates the communication status. <ul style="list-style-type: none"> – On: The Ethernet cable is short-circuited. – Flashing: The communication is good and data is being transmitted. – Off: No data transmission 		
HDMI 1.3	1	<ul style="list-style-type: none"> • Support monitor and video output modes. • The output resolution is adjustable. 		
Optical Fiber Ports				
Connector	Qty	Description		
OPT	2	<p>10G optical fiber ports</p> <ul style="list-style-type: none"> • OPT 1: Self-adaptive, either for video input or for output <ul style="list-style-type: none"> – When the device is connected with a fiber converter, the port is used as an output connector. – When the device is connected with a video processor, the port is used as an input connector. – Max. capacity: 1x 4Kx1K@60Hz or 2x 2Kx1K@60Hz video inputs • OPT 2: For output only, with copy and backup modes OPT 2 copies or backs up the output on 10 Ethernet ports. <table border="1" style="width: 100%; border-collapse: collapse;"> <tr> <td style="width: 50%; vertical-align: top;"> <p>Single mode OPT module description:</p> <ul style="list-style-type: none"> • Hot swappable • Transmission rate: 9.95 Gbit/s to 11.3 Gbit/s </td> <td style="width: 50%; vertical-align: top;"> <p>OPT fiber selection:</p> <ul style="list-style-type: none"> • Model: OS1/OS2 • Transmission mode: Single-mode twin-core </td> </tr> </table>	<p>Single mode OPT module description:</p> <ul style="list-style-type: none"> • Hot swappable • Transmission rate: 9.95 Gbit/s to 11.3 Gbit/s 	<p>OPT fiber selection:</p> <ul style="list-style-type: none"> • Model: OS1/OS2 • Transmission mode: Single-mode twin-core
<p>Single mode OPT module description:</p> <ul style="list-style-type: none"> • Hot swappable • Transmission rate: 9.95 Gbit/s to 11.3 Gbit/s 	<p>OPT fiber selection:</p> <ul style="list-style-type: none"> • Model: OS1/OS2 • Transmission mode: Single-mode twin-core 			

		<ul style="list-style-type: none"> • Wavelength: 1310 nm • Transmission distance: 10 km 	<ul style="list-style-type: none"> • Cable diameter: 9/125 μm • Connector type: LC • Insertion loss: ≤ 0.3 dB • Return loss: ≥ 45 dB
		<p>Multi-mode OPT module description:</p> <ul style="list-style-type: none"> • Hot swappable • Transmission rate: 9.95 Gbit/s to 11.3 Gbit/s • Wavelength: 850 nm • Transmission distance: 300 m 	<p>OPT fiber selection:</p> <ul style="list-style-type: none"> • Model: OM3/OM4 • Transmission mode: Multi-mode twin-core • Cable diameter: 50/125 μm • Connector type: LC • Insertion loss: ≤ 0.2 dB • Return loss: ≥ 45 dB
Control Connectors			
Connector	Qty	Description	
ETHERNET	1	<p>Connect to the control PC or router.</p> <p>Status LEDs:</p> <ul style="list-style-type: none"> • The top left one indicates the connection status. <ul style="list-style-type: none"> – On: The port is well connected. – Flashing: The port is not well connected, such as loose connection. – Off: The port is not connected. • The top right one indicates the communication status. <ul style="list-style-type: none"> – On: The Ethernet cable is short-circuited. – Flashing: The communication is good and data is being transmitted. – Off: No data transmission 	
USB	2	<ul style="list-style-type: none"> • USB 2.0 (Type-B): <ul style="list-style-type: none"> – Connect to the control PC. – Input connector for device cascading • USB 2.0 (Type-A): Output connector for device cascading 	
GENLOCK IN-LOOP	1	<p>Connect to an external sync signal.</p> <p>Accepts bi-level and tri-level signals.</p> <ul style="list-style-type: none"> • IN: Accept the sync signal. • LOOP: Loop the sync signal. 	
LIGHT SENSOR	1	<p>Connect to a light sensor to collect the ambient brightness, allowing for automatic screen brightness adjustment.</p>	

Note:

Only the main layer can use the mosaic source. When the main layer uses the mosaic source, PIP 1 and 2 cannot be opened.

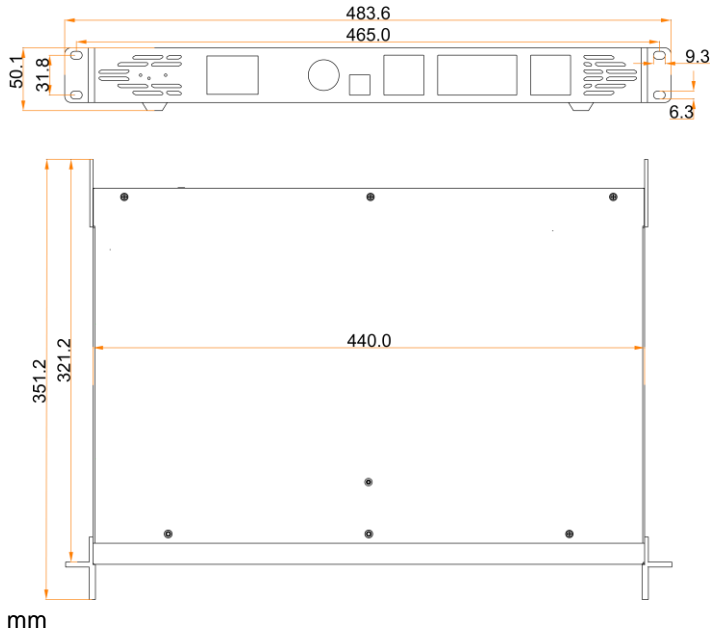
Applications



Dimensions

The VX1000 provides the **flight case** or **carton** packaging. This section provides the dimensions of the device, flight case and carton, respectively.

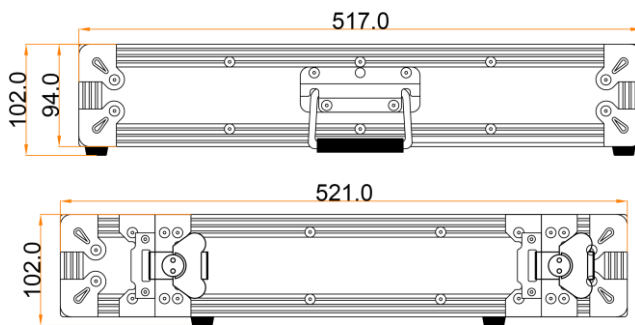
Device



Tolerance: ± 0.3 Unit:

Packaging

Flight Case



Tolerance: ± 5 Unit: mm

Note:

For the detailed flight case drawings, please contact NovaStar's technical support staff.

Carton



Tolerance: ± 5 Unit: mm

Specifications

Electrical Parameters	Power connector	100–240V~, 1.6A, 50/60Hz	
	Rated power consumption	28 W	
Operating Environment	Temperature	0°C to 45°C	
	Humidity	20% RH to 90% RH, non-condensing	
Storage Environment	Temperature	–20°C to +70°C	
	Humidity	10% RH to 95% RH, non-condensing	
Physical Specifications	Dimensions	483.6 mm × 351.2 mm × 50.1 mm	
	Net weight	4 kg	
Packing Information	Accessories	Flight Case	Carton
		1x Power cord 1x HDMI to DVI cable 1x USB cable 1x Ethernet cable 1x HDMI cable 1x Quick Start Guide 1x Certificate of Approval 1x DAC cable	1x Power cord 1x HDMI to DVI cable 1x USB cable 1x Ethernet cable 1x HDMI cable 1x Quick Start Guide 1x Certificate of Approval 1x Safety Manual 1x Customer Letter
	Packing size	521.0 mm × 517.0 mm × 102.0 mm	565.0 mm × 175.0 mm × 450.0 mm
	Gross weight	10.4 kg	6.8 kg
Noise Level (typical at 25°C/77°F)		45 dB (A)	

Video Source Features

Input Connectors	Bit Depth		Max. Input Resolution
<ul style="list-style-type: none"> • HDMI 1.4 • DVI (HDMI 1.4) • OPT 1 	8-bit	RGB 4:4:4	3840×1080@60Hz (Standard)
		YCbCr 4:4:4	4092×1136@60Hz (Custom)
		YCbCr 4:2:2	4096×1080@60Hz (Forced)
		YCbCr 4:2:0	Not supported
	10-bit	Not supported	
	12-bit	Not supported	
3G-SDI	<ul style="list-style-type: none"> • Max. input resolution: 1920×1080@60Hz • DOES NOT support input resolution and bit depth settings. • Supports ST-424 (3G), ST-292 (HD) and ST-259 (SD) standard video inputs. 		

Notes and Cautions

FCC Caution

Any changes or modifications not expressly approved by the party responsible for compliance could void the user's authority to operate the equipment.

This device complies with part 15 of the FCC Rules. Operation is subject to the following two conditions: (1) This device may not cause harmful interference, and (2) this device must accept any interference received, including interference that may cause undesired operation.

Note: This equipment has been tested and found to comply with the limits for a Class A digital device, pursuant to part 15 of the FCC Rules. These limits are designed to provide reasonable protection against harmful interference when the equipment is operated in a commercial environment. This equipment generates, uses, and can radiate radio frequency energy and, if not installed and used in accordance with the instruction manual, may cause harmful interference to radio communications. Operation of this equipment in a residential area is likely to cause harmful interference in which case the user will be required to correct the interference at his own expense.

Others

This is Class A product. In a domestic environment, this product may cause radio interference in which case the user may be required to take adequate measures.

Copyright © 2023 Xi'an NovaStar Tech Co., Ltd. All Rights Reserved.

No part of this document may be copied, reproduced, extracted or transmitted in any form or by any means without the prior written consent of Xi'an NovaStar Tech Co., Ltd.

Trademark

 is a trademark of Xi'an NovaStar Tech Co., Ltd.

Statement

Thank you for choosing NovaStar's product. This document is intended to help you understand and use the product. For accuracy and reliability, NovaStar may make improvements and/or changes to this document at any time and without notice. If you experience any problems in use or have any suggestions, please contact us via the contact information given in this document. We will do our best to solve any issues, as well as evaluate and implement any suggestions.

Official website
www.novastar.tech

Technical support
support@novastar.tech