

XHB553-EUK



55" Xtreme™ High Bright Outdoor Display

There has never been an outdoor daylight readable display built to withstand the harsh outdoor elements like the Peerless-AV® Xtreme™ High Bright. Featuring an IP66 Rated design and a patented thermal exhaust system, Xtreme High Bright Outdoor Displays are fully protected against water, dust, moisture and even insects. The display's cover glass is optically bonded, which increases the perceived contrast ratio and cuts down on glare, providing amazing picture quality even in direct sunlight. With an operating temperature range of -35°C to 60°C, Xtreme Displays are designed to thrive year-round outside, without worry of extreme hot or cold temperature waves. This High Bright line of commercial displays offer 2500nits of light output to combat high ambient lighting conditions, while the ambient light sensor automatically adjusts the display's brightness to optimise the power consumption and enhance the viewing experience. Providing unmatched capabilities, Xtreme High Bright Outdoor Displays are the perfect digital signage or entertainment solution for any professional application.

All Weather Rated (IP66)



Operating Temperature Range:

-35°C to 60°C
(-31°F to 140°F)

- Optically bonded, anti-reflective cover glass increases the perceived contrast ratio and cuts down on glare, providing amazing picture quality, even in direct sunlight
- Daylight readable with LED backlight and full HD 1080p resolution for a bright, crisp picture
- Includes Quarter Wave Plate polariser, allowing for portrait and landscape installations
- Remote and Local monitoring, supported via IP addressable user interface, for temperature, humidity, and power draw diagnostics of the display
- Fully-sealed, rugged display designed for 24/7 operation in harsh environments year-round
- Gyroscopic sensor can be set to specific degrees and tolerances, if the display is moved beyond the set figure an email and text will be sent to the registered user

■ AMBIENT LIGHT SENSOR

Automatically adjusts brightness to best match the lighting conditions, which optimises the display's power consumption and enhances the viewing experience (optional ALS extender accessory available)

■ HIGH BRIGHT OUTPUT

Offers 2500nits of light output to combat high ambient lighting conditions



■ FULLY-SEALED DESIGN

IP66 rating prevents the ingress of foreign materials, such as water, dust, moisture and insects, from entering the display

■ IK10 TEMPERED COVER GLASS

Protects the screen against vandalism and debris

■ GYROSCOPIC SENSOR

Alerts user when any movement of the display is detected



■ PATENTED THERMAL EXHAUST SYSTEM

Keeps internal components properly cooled in extreme heat

■ VESA® MOUNTING PATTERN

Provides cost savings and flexibility in outdoor rated mount selection



XHB553-EUK 55" Xtreme™ High Bright Outdoor Display

LCD Display

SCREEN SIZE	55" Class (54.6" Diagonal)
ACTIVE SCREEN AREA	1209.6 x 680.4mm (47.62" x 26.79")
PIXEL PITCH	.63 x .63mm
ASPECT RATIO	16:9
RESOLUTION	1920 x 1080
COLOUR DEPTH	10Bit (1.07 Billion Colors)
BRIGHTNESS	2,500cd/m ²
COLOUR GAMUT	72% NTSC
BACKLIGHT ADJUSTMENT	Automatic (Ambient Light Sensor)
CONTRAST RATIO	4000:1
VIEWING ANGLE	178° Vertical/Horizontal
DISPLAY ORIENTATION	Portrait/Landscape
RESPONSE TIME	8ms (Gray to Gray)
REFRESH RATE	60Hz
OPERATING TIME	24/7

Environmental

OPERATING TEMPERATURE	-35°C - 60°C (-31°F - 140°F)
IP RATING	IP66
REGULATORY	FCC Class A, cULus, CE, UKCA

TV Features

Auto Source Switching (Fail-Over), Pixel Shift, Ambient Light Sensing, Power Scheduling, Display Monitoring with Alerts (Temperature, Humidity, Power Draw, Gyroscope), IP Control

Mechanical

SIZE (W x H x D)	1272 x 743 x 101mm (50.07" x 29.24" x 3.98")
COLOUR	Black
GLASS	IK10 Rated, Tempered & Anti-reflective
VESA® PATTERN	600 x 400mm, 600 x 600mm
NET WEIGHT	44.9kg (99lb)
INPUT COMPARTMENT (W x H x D)	377 x 122 x 30mm (14.84" x 4.80" x 1.18")

Power

AC INPUT	100 VAC to 240 VAC, 50 to 60 Hz
POWER CONSUMPTION	Typical: 308W Maximum: 364W
STANDBY POWER	<0.5W (passive mode) <2.0W (active mode)

Input/Output Connections

HDMI INPUT	HDMI (x2), 480i, 480p, 720p, 1080i, 1080p
CVBS INPUT	3.5mm (x1)
DISPLAYPORT	DP (x1)
ANALOG AUDIO OUTPUT	3.5mm Headphone Jack (x1)
DIGITAL AUDIO OUTPUT	Optical (x1)
USB DATA INPUT	USB 2.0 A (x1) [Audio, Video, Text & Photo]
RS232 INPUT	3.5mm TRS Jack (x1)
RS232 OUTPUT	(for future use)(x1)
12VDC 2.5A OUTPUT	2.5mm (x1)
USB POWER 5VDC 2.4A OUTPUT	USB 2.0 A (x1)
IR EXTENDER INPUT	3.5mm (x1)
IR OUTPUT (REPEATER)	3.5mm (x1)
AMBIENT LIGHT SENSOR EXTENDER	3.5mm (x1)
LAN INPUT	RJ-45 (x1)

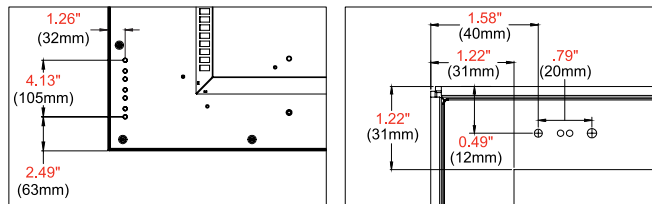
Package Specifications

	PACKAGE SIZE (W x H x D)	PACKAGE SHIP WEIGHT	PACKAGE UPC CODE	PACKAGE CONTENTS	UNITS IN PACKAGE
XHB553-EUK	1446 x 877 x 250mm (56.93" x 34.53" x 9.84")	51.26kg (113lb)	735029344339	Display, Waterproof Universal Remote Control, User's Guide, 3mm Hex Wrench, Power Cord and IR Extender	1

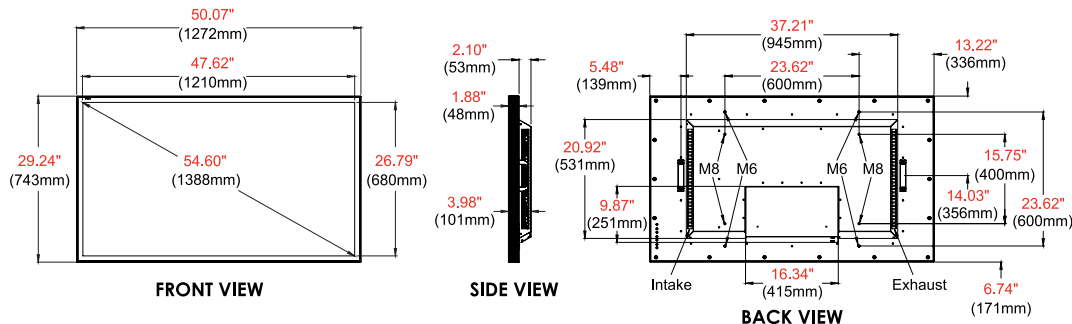
Accessories

ACCD-05K:	5 Volt Accessory Kit	EPT650:	Outdoor Universal Tilt Wall Mount
ACCD-12K:	12 Volt Accessory Kit	ESF655P:	Outdoor Universal Flat Mount - Portrait
ACCD-ALS:	Ambient Light Sensor Extender	EST655P:	Outdoor Universal Tilt Mount - Portrait
ACCD-IRREP:	IR Repeater	ESA763PU:	Outdoor Articulating Wall Mount

- Note: Sensor on top left in landscape
Sensor on top right in portrait
- Note: Mount points for M6 is 8mm MAX. depth
Mount points for M8 is 40mm MAX. depth
- Note: M8 VESA fasteners must always be present, even if not mounting on VESA locations
- Weight: 44.9kg (99lb)



All dimensions = inch (mm)



Architect Specifications

The Xtreme™ High Bright Outdoor Display shall be a Peerless-AV model XHB553-EUK and shall be located where indicated on the plans. Assembly and installation shall be done according to instructions provided by the manufacturer.

Visit peerless-av.com to see the complete line of AV solutions from Peerless-AV, including outdoor displays, kiosks, display mounts, projector mounts, carts/stands, and a full assortment of accessories.

Peerless-AV
2300 White Oak Circle
Aurora, IL 60502 USA
(800) 865-2112
(630) 375-5100
Fax: (800) 359-6500

Peerless-AV EMEA
Unit 3 Watford Interchange
Colonial Way, Watford
Herts, WD24 4WP
United Kingdom
+44 (0) 1923 200100
Fax: +44 (0) 1923 200101

Peerless-AV Latin America
Av. de las Industrias 413
Parque Industrial Escobedo
General Escobedo, N.L.,
México, 66062
+52 (81) 8384-8300
Fax: +52 (81) 8384-8360

